

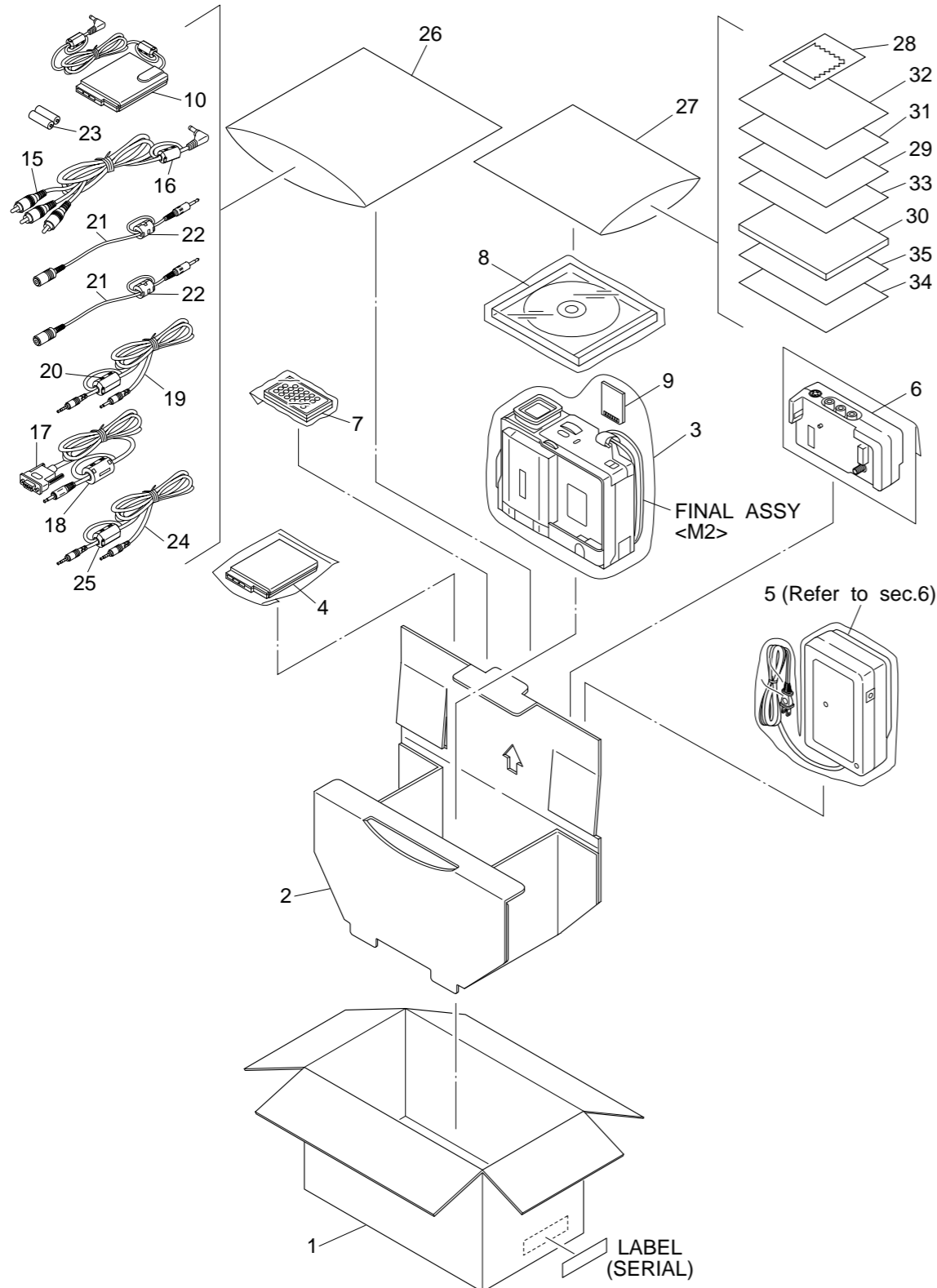
SECTION 5 PARTS LIST

SAFETY PRECAUTION

Parts identified by the \triangle symbol are critical for safety. Replace only with specified part numbers.

5.1 PACKING AND ACCESSORY ASSEMBLY <M1>

The instruction manual to be provided with this product will differ according to the destination.



\triangle REF No. PART No. PART NAME, DESCRIPTION

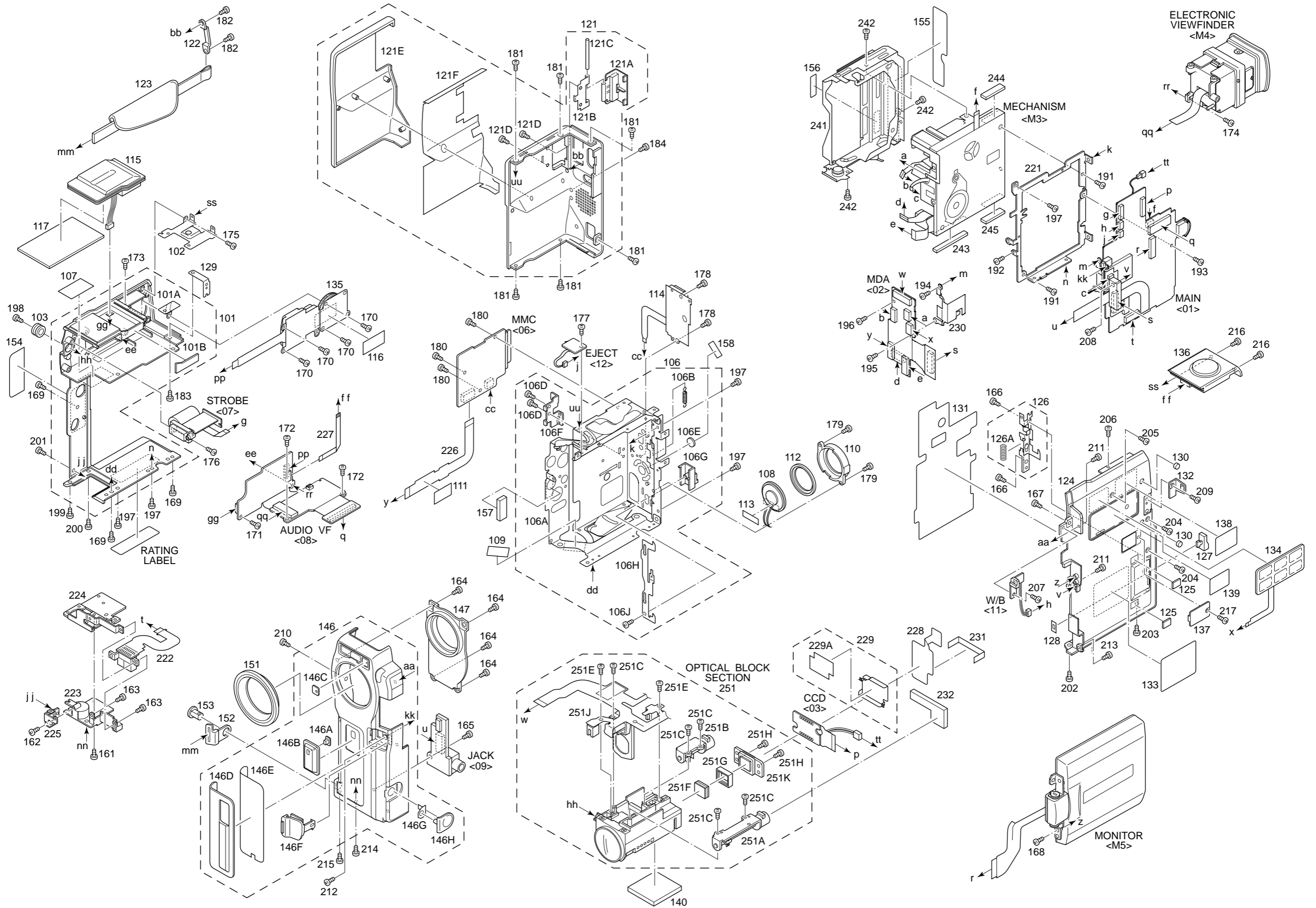
PACKING AND ACCESSORY ASSEMBLY <M1>

1	LY31717-001A	PACKING CASE
2	LY20588-001A	CUSHION
3	LY30023-003A	POLY BAG
\triangle 4	LY31174-002B	BATTERY PACK,BN-V507U
\triangle 5	LY20603-001B	AC ADAPTER CHARGER,AA-V51U
\triangle 6	LY20590-001A	DOCKING STATION,CU-V502U
7	LY20543-002A	REMOTE CONTROL UNIT,RM-V716U
8	LY31133-013A	CD ROM
9	QAM0262-002	MULTIMEDIA CARD
10	LY31176-004A	DC CORD
15	QAM0124-001	CABLE ASSY,AUDIO/VIDEO CABLE
16	QQR0918-002	CORE FILTER
17	QAM0084-001	PC CONNECTION CABLE
18	QQR0918-002	CORE FILTER
19	QAM0214-001	RM (EDITING) CABLE
20	QQR0491-002	CORE FILTER
21	QAM0213-001	AUDIO CABLE,X2
22	QQR1081-002	CORE FILTER,X2
23	-	BATTERY,AAA(R03),X2
24	QAM0129-001	JLIP CABLE
25	QQR0491-002	CORE FILTER
26	QPGA017-03005	POLY BAG
27	QPA02003006	POLY BAG
28	YQ43558	CLEANING CLOTH
29	BT-51005-4	WARRANTY INF.
\triangle 30	LYT0584-001A	IB(EN)
\triangle 31	LYT0584-002A	IB(FR)
\triangle 32	LYT0584-003A	IB(SP)
33	LYT0584-004A	IB(PRINTER.EN)
	LYT0584-005A	IB(PRINTER.FR)
	LYT0584-006A	IB(PRINTER.SP)
34	LYT0585-001A	IB(SOFT.SETUP)
35	LYT0378-003A	SHEET(AGREMENT)
	BT-51020-2	REGIST.CARD
	LYT0584-007A	SHEET (ATT.)

• INSTRUCTIONS

EN ENGLISH
FR FRENCH
SP SPANISH

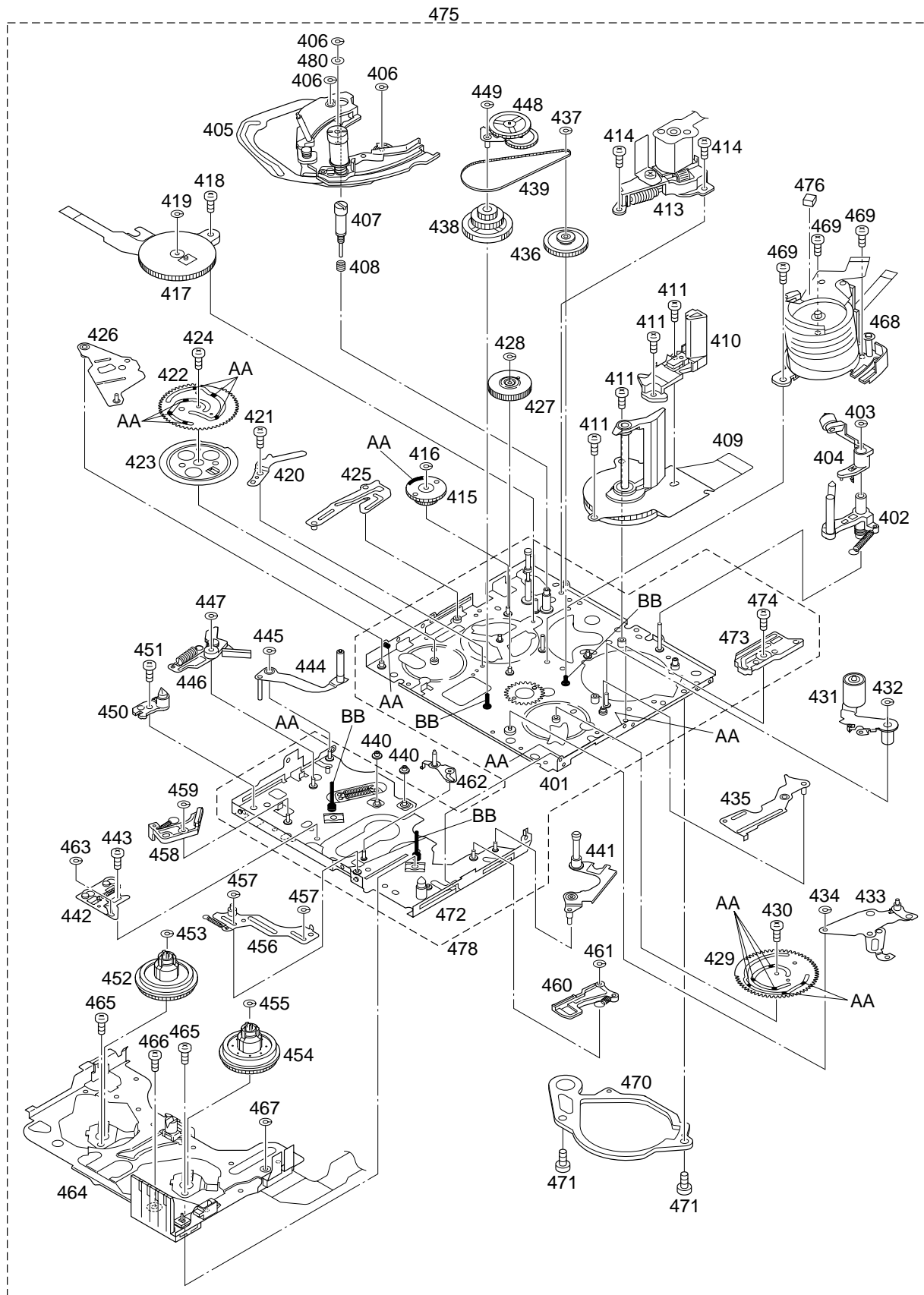
5.2 FINAL ASSEMBLY <M2>



#	△	REF No.	PART No.	PART NAME, DESCRIPTION	#	△	REF No.	PART No.	PART NAME, DESCRIPTION

FINAL ASSEMBLY <M2>									
△	101		LY20576-001B	LOWER CASE ASSY	165		QYSPSGT1740Z		SCREW
	101A		LY42536-001A	SHEET(LOWER)	166		QYSPSPT1725Z		SCREW,X2
	101B		LY42259-001A	SHEET(MIC C)	167		LY30018-068A		SPECIAL SCREW
	102		LY31764-001A	BKT(TOP)	168		LY30018-008A		SPECIAL SCREW
	103		LY41675-001B	RUBBER	169		LY30018-032A		SPECIAL SCREW,X3
	106		LY20601-001A	ARM ASSY	170		LY30018-020A		SPECIAL SCREW,X4
	106A		LY20594-001A	BRACKET(ARM)	171		LY30018-020A		SPECIAL SCREW
	106B		LY30001-023A	TENSION SPRING	172		LY30019-007B		SPECIAL SCREW,X2
	106D		LY30018-056A	SPECIAL SCREW,X2	173		LY30018-060A		SPECIAL SCREW
	106E		LY42268-001A	SPACER(SPK)	174		LY30018-093A		SPECIAL SCREW
	106F		LY31678-001A	BRACKET(HOOK)	175		LY30018-026A		SPECIAL SCREW
	106G		LY31676-001A	KNOB(EJECT)	176		LY30018-060A		SPECIAL SCREW
	106H		LY31665-001A	PLATE(LOCK)	177		LY30018-043B		SPECIAL SCREW
	106J		LY30018-015A	SPECIAL SCREW	178		LY30018-032A		SPECIAL SCREW,X2
	107		LY30029-083A	SPACER(A)	179		LY30018-096A		SPECIAL SCREW,X2
	108		QAS0053-001	SPEAKER	180		QYSPSPT1720R		SCREW,X3
	109		LY30029-084A	SPACER(A)	181		LY30018-066A		SPECIAL SCREW,X6
	110		LY31762-001A	HOLDER(SPK)	182		LY30018-0B5A		SPECIAL SCREW,X2
	111		LY30029-085A	SPACER(A)	183		QYSPSPT1720R		SCREW
	112		LY40301-001A	SPACER(SPK)	184		LY30018-0B5A		SPECIAL SCREW
	113		LY30029-086A	SPACER(A)	191		LY30019-026A		SPECIAL SCREW,X2
	114		LY31680-001A	ZOOM UNIT	192		YQ43893-4		MINI SCREW
	115		LY31671-001A	MICROPHONE	193		QYSPSPT1735R		SCREW
	116		LY30029-083A	SPACER(A)	194		YQ43893-4		MINI SCREW
	117		LY30029-094A	SPACER-A	195		QYSPSPT1735R		SCREW
	121		LY20602-001A	CASS.COVER ASSY	196		LY30018-070A		SPECIAL SCREW
	121A		LY31675-001A	PLATE(HINGE)	197		LY30018-070A		SPECIAL SCREW,X5
	121B		LY42261-001A	BRACKET(HINGE)	198		LY30019-023A		SPECIAL SCREW
	121C		LY30014-009A	SHAFT(C)	199		QYSPSPT1735R		SCREW
	121D		LY30018-026A	SPECIAL SCREW,X2	200		QYSPSPT1720R		SCREW
	121E		LY20599-001A	COVER(C.C)	201		LY30018-070A		SPECIAL SCREW
	121F		LY42434-001A	SHEET(COVER)	202		QYSPSPT1735R		SCREW
	122		LY41588-001A	HOOK(OPE)	203		QYSPSPT1735R		SCREW
	123		LY31745-001A	GRIP BELT	204		QYSPSPT1730R		SCREW,X2
	124		LY10236-001A	UPPER CASE	205		LY30018-060A		SPECIAL SCREW
	125		LY30029-091A	SPACER(A),X2	206		LY30018-060A		SPECIAL SCREW
	126		LY42270-001A	BATT.LOCK ASSY	207		QYSPSPT1735R		SCREW
	126A		LY30002-015A	COMPRES. SPRING	208		QYSPSPT1735R		SCREW
	127		LY31102-001A	KNOB(LOCK)	209		LY30018-0B8A		SPECIAL SCREW
	128		LY41397-001A	PLATE(KNOB)	210		LY30018-0B7A		SPECIAL SCREW
	129		LY42326-001A	BRACKET(L/U)	211		QYSPSGT1780R		SCREW,X2
	130		LY42350-001A	FOOT,X2	212		LY30018-0B8A		SPECIAL SCREW
	131		LY42272-001A	SHEET(UPPER)	213		QYSPSGT1712R		SCREW
	132		LY31682-001B	LOCK(MONITOR)	214		QYSPSPT1735R		SCREW
	133		LY41605-002A	LABEL(UPPER)	215		LY30019-022A		SPECIAL SCREW
	134		LY31684-001A	SUB OPE ASSY	216		QYSPSPT1735R		SCREW,X2
	135		LY20600-001A	CAMERA OPE UNIT	217		LY30018-070A		SPECIAL SCREW
	136		LY31906-001A	DECK OPE ASSY	221		LY20582-001A		BRACKET(MECHA)
	137		LY41393-004A	COVER(JIG CONN)	222		LY31758-001A		FPC ASSY(M.CN)
	138		LY41701-002A	SHEET(CAUTION)1	223		LY31693-001A		BASE(T.P.)
	139		LY42163-003A	SHEET(CAUTION)2	224		LY42290-001A		BRACKET(BASE)1
	140		LY30029-054B	SPACER(A)	225		LY42291-001A		BRACKET(BASE)2
	146		LY20581-001D	FRONT COVER ASSY	226		QAL0240-001		FPC,MDA CN208-MMC CN601
	146A		LY42276-001B	INDICATOR	227		WJT0034-001A		E-CARD WIRE,AU/VF CN803-D.OPE
	146B		LY42277-001A	WINDOW(IR)	228		LY42756-001A		HEAT TAPE
	146C		LY42278-001A	WINDOW(STB)	229		LY42748-001A		SHIELD ASSY
	146D		LY31687-001A	PAD	229A		LY42677-001A		SHEET(CCD)
	146E		LY42280-001A	SHEET(DF)	230		LY31696-001A		SHIELD PLATE
	146F		LY42281-001A	COVER(DV) ASSY	231		LY30029-095A		SPACER(A)
	146G		LY42286-001A	HINGE(AV)	232		LY42770-001A		SPACER(OPM)
	146H		LY42285-002A	COVER(AV)	241		LY30483-001Q		CASSETTE HOUSING ASSY
	147		LY31761-002A	FRONT COVER2	242		YQ43893-4		MINI SCREW,X3
	151		LY31767-001A	HOOD ASSY	243		LY41430-005A		SPACER
	152		LY31691-001A	HOOK	244		LY30029-090A		SPACER(A)
	153		LY42287-001A	STUD(HOOK)	245		LY41430-004A		SPACER
	154		LY42404-001A	SHEET					
	155		LY40698-002A	LABEL(HOUSING)					
	156		LY40699-002A	LABEL(PUSH)					
	157		LY30016-0H5A	SPACER-A					
	158		LY30029-074A	SPACER(A)					
	161		QYSPSPT1740R	SCREW					
	162		LY30018-063A	SPECIAL SCREW					
	163		QYSPSPT1740R	SCREW,X2					
	164		QYSPSGT1740Z	SCREW,X4					
– OPTICAL BLOCK SECTION –									
					251		LYH20156-001A		OPTICAL BLOCK ASSY
					251A		LY31572-001A		ZOOM MOTOR
					251B		LY31571-001A		FOCUS MOTOR
					251C		LY30727-002A		SCREW,X5
					251E		LY30727-001A		SCREW,X2
					251F		LY42110-001A		OPTICAL LPF
					251G		LY30721-001A		SPACER RUBBER
					251H		QYSPSGU1750Z		SCREW,X2
					251J		LY31573-001A		IRIS MOTOR UNIT
					251K		YS40168G		CCD BASE ASSY

5.3 MECHANISM ASSEMBLY <M3>



Classification	Part No.	Symbol in drawing
Grease	KYODO-SH-P	AA
Oil	YTU94027	BB

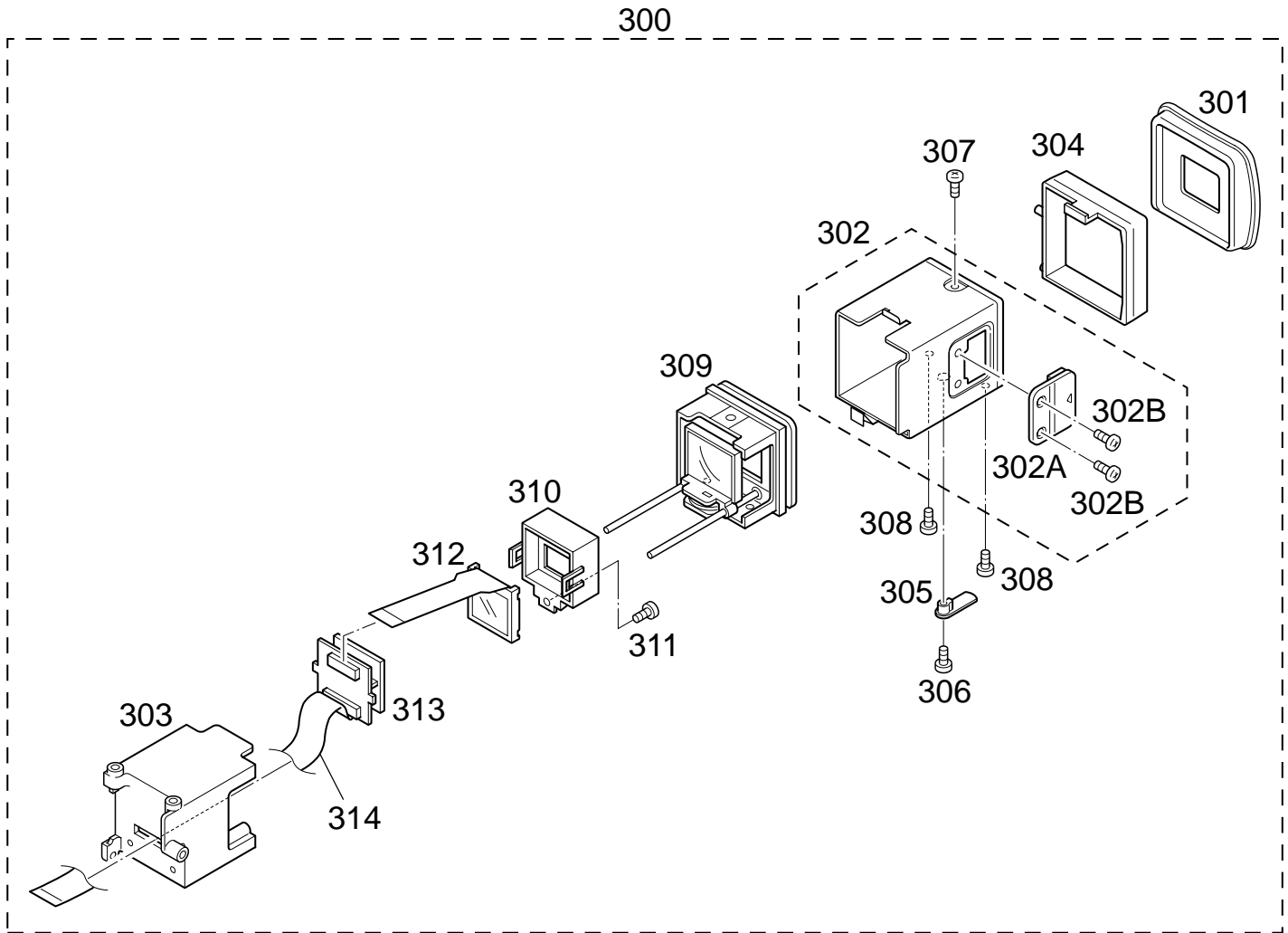
NOTE: The section marked in AA and BB, indicate lubrication and greasing areas.

#	REF No.	PART No.	PART NAME, DESCRIPTION

MECHANISM ASSEMBLY <M3>			
401		LY10077-001L	MAIN DECK ASSY
402		LY30436-001F	SLANT P.ARM AS
403		YQ44246	SLIT WASHER
404		LY30438-001B	CLEANER ARM ASSY
405		LY10080-001V	RAIL ASSY
406		YQ44246	SLIT WASHER,X3
407		LY40353-001D	GUIDE ROLLER(S)ASSY
408		LY30002-006C	COMPRES. SPRING
409		QAR0026-002	CAPSTAN MOTOR
410		LY30504-001C	CATCHER(T)ASSY
411		YQ43893	MINI SCREW,X4
413		LY30448-001F	MOTOR BKT ASSY
414		YQ43893	MINI SCREW,X2
415		LY30449-001C	WORM WHEEL
416		YQ44246	SLIT WASHER
417		LY40496-001C	ROTARY ENCODER
418		YQ43893	MINI SCREW
419		YQ44246	SLIT WASHER
420		LY40614-001B	GEAR HOLDER
421		YQ43893-6	MINI SCREW
422		LY30450-001C	MAIN CAM
423		LY30840-001A	BRAKE CTL PLATE
424		YQ43893	MINI SCREW
425		LY40373-001C	TC LEVER ASSY
426		LY30452-001G	SLIDE LEVER ASSY
427		LY30454-001A	CONNECT GEAR
428		YQ44246	SLIT WASHER
429		LY30455-001B	SUB CAM
430		YQ43893	MINI SCREW
431		LY30456-001F	PINCHROLLER ARM ASSY
432		YQ44246	SLIT WASHER
433		LY30459-001A	CHARGE ARM ASSY
434		YQ44246	SLIT WASHER
435		LY40387-001D	BC LEVER ASSY
436		LY40389-001D	R.D.PULLEY ASSY
437		YQ44246-2	SLIT WASHER
438		LY40391-001G	CENTER GEAR ASSY
439		LY40396-001A	TIMING BELT
440		LY40413-001A	COLLAR,X2
441		LY30468-001E	GUIDE ARM ASSY
442		LY30618-001C	SLIDE GUIDE PLATE ASSY
443		YQ43893-2	MINI SCREW
444		LY40420-001J	TENSION ARM ASSY
445		YQ44246	SLIT WASHER
446		LY30471-001D	PAD ARM ASSY
447		YQ44246	SLIT WASHER
448		LY40432-001H	IDLER ARM ASSY
449		YQ44246-2	SLIT WASHER
450		LY30476-001A	GUIDE PIN(S)
451		YQ43893	MINI SCREW
452		LY40441-001B	REEL DISK(SUPPLY)ASSY
453		YQ44246	SLIT WASHER
454		LY40443-001B	REEL DISK(TAKE-UP)ASSY
455		YQ44246	SLIT WASHER
456		LY30477-001F	CTL PLATE ASSY
457		YQ44246	SLIT WASHER,X2
458		LY40444-001E	LOADING BRAKE ASSY
459		YQ44246	SLIT WASHER

#	REF No.	PART No.	PART NAME, DESCRIPTION
460		LY40452-001C	SUB BRAKE ASSY
461		YQ44246	SLIT WASHER
462		LY30479-001E	RELEASE GUIDE ASSY
463		YQ44246	SLIT WASHER
464		LY20146-001H	REEL COVER ASSY
465		YQ43893-4	MINI SCREW,X2
466		YQ43893	MINI SCREW
467		YQ44246	SLIT WASHER
468		YDV2086I	DRUM ASSY
469		YQ43893	MINI SCREW,X3
470		LY20138-001D	PWB HOLDER
471		YQ43893	MINI SCREW,X2
472		LY10082-001K	SLIDE DECK ASSY
473		LY30462-001B	LOADING GUIDE
474		YQ43893	MINI SCREW
475		YMA0025M	MECHA(A)ASSY
476		LY30016-0M1A	SPACER-A
478		LY30496-001T	DECK ASSY
480		LY41573-001A	WASHER

5.4 ELECTRONIC VIEWFINDER ASSEMBLY <M4>



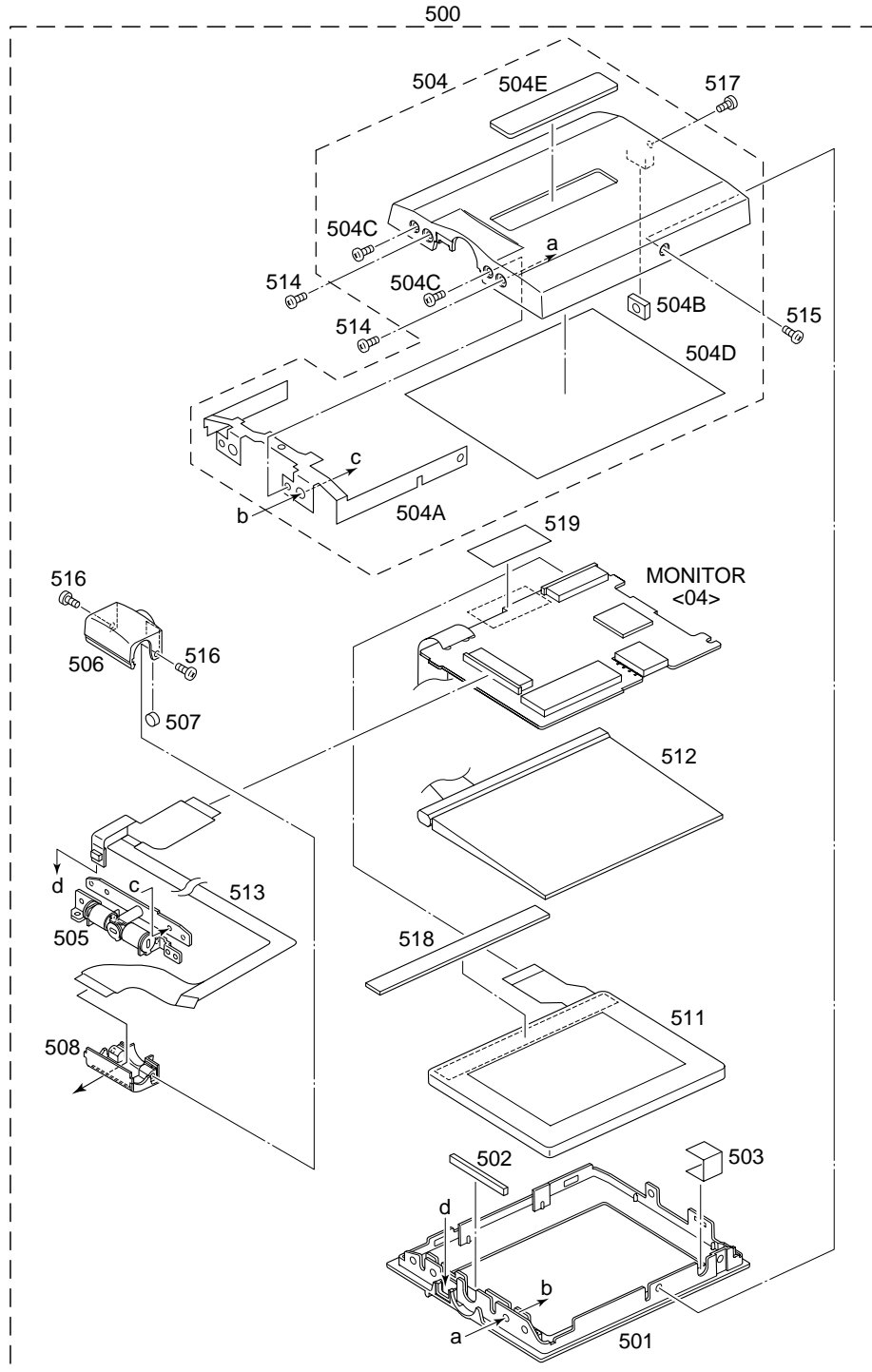
▲ REF No. PART No. PART NAME, DESCRIPTION

ELECTRONIC VIEWFINDER ASSEMBLY <M4>

REF No.	PART No.	PART NAME, DESCRIPTION
300	LY31749-001A	VF UNIT
301	PTY31749-001	EYE CUP
302	PTY31749-011	CASE/CAP ASSY
302A	PTY31749-012	CAP(VF)
302B	LY30029-027A	SCREW,X2
303	PTY31749-021	FRAME(VF)
304	PTY31749-031	GUIDE(VF)
305	PTY31749-015	LEVER(VF)

REF No.	PART No.	PART NAME, DESCRIPTION
306	LY30018-037A	SCREW
307	LY30018-019A	SCREW
308	LY30018-055A	SCREW,X2
309	PTY31749-041	EYE PIECE SUB ASSY
310	PTY31749-051	HOLDER(LCD)
311	PTY31749-081	SCREW
312	QLD0117-001	LCD MODULE
313	PTY31749-061	B/L SUB ASSY
314	PTY31749-071	FFC

5.5 MONITOR ASSEMBLY <M5>



△ REF No. PART No. PART NAME, DESCRIPTION

MONITOR ASSEMBLY <M5>

△	500	LYH20164-001B	MONITOR ASSY
	501	LY20584-001B	MONITOR CASE
	502	LY30029-046B	SPACER(A)
	503	LY30029-048A	SPACER(A)
△	504	LY20585-001A	MONITOR COVER ASSY
	504A	LY31699-001A	BRACKET(MON.)
	504B	LY40162-001A	BKT
	504C	QYSPSPT1720R	SCREW,X2
	504D	LY30029-047A	SPACER(A)
	504E	LY42295-001A	PLATE(MON.)

△ REF No. PART No. PART NAME, DESCRIPTION

	505	LY31701-001B	HINGE ASSY
	506	LY31702-001A	HINGE COVER(U)
	507	LY40663-002A	MAGNET
	508	LY31703-001A	HINGE COVER(L)
	511	QLD0138-001	LCD MODULE
	512	QLL0087-001	BACK LIGHT
	513	LY31756-001A	FPC ASSY(MONI)
	514	LY30018-0B1A	SPECIAL SCREW,X2
	515	QYSPSPT1730R	SCREW
	516	LY30018-060A	SPECIAL SCREW,X2
	517	QYSPSPT1735R	SCREW
	518	LY30029-076A	SPACER(A)
	519	LY30029-093A	SPACER(A)

5.6 ELECTRICAL PARTS LIST

#	△ REF No.	PART No.	PART NAME, DESCRIPTION

MAIN BOARD ASSEMBLY <01>			
	PW	YB10284B-02	MAIN BOARD ASSY
	IC1001	YQ44856A	CSP IC ASSY
	IC1002	MB90097PFV133	IC(MICRO C ROM)
	IC1003	NM25C160LZEM8	IC
		or AT25160N-10SC-X	IC
	IC1004	RS5C314	IC
	IC1005	TC7W08FK	IC
	IC1006	TC7W04FK	IC
	IC1008	TC7W66FK	IC
	IC1009	TC7W08FK	IC
	IC1101	TA75W01FU	IC
	IC1401	YQ44869A	CSP IC ASSY
	IC1402	TC7W14FK	IC
	IC1403	TC7W66FK	IC
	IC1405	TC4W53FU	IC
	IC2701	SN74AHC1G66K	IC
	IC2751	TC74HC4052AFT	IC
	IC3001	JCY0106-2	IC
	IC3002	M51V18165D-50LS	IC
	IC3004	TC7SL00FU	IC(DIGITAL)
	IC3005	SN74AHC1G04K	IC
	IC3101	PDI1394P11AEC	IC
	IC3201	JCY0107-2	IC
	IC3202	TC7SH00FU	IC(DIGITAL)
	IC3203	MM1385UN	IC
	IC3301	JCY0108	IC
	IC3501	AN3731FHQ	IC(DIGITAL)
	IC3701	NJM2538V	IC
	IC3702	MM1385HN	IC
	IC4201	HD49325BHF	IC
	IC4202	RH5RZ31CA	IC
	IC4301	YQ44827A	IC
	IC4302	MM1385PN	IC
	IC4304	TC7WH123FK	IC
	IC4305	TC7W04FK	IC
	IC4401	M62366GP	IC
△	IC5001	JCY0138	IC
	IC5002	MM1385DN	IC
	IC5004	W194-70G-X	IC
	IC6001	S-80842ANNP-W	IC
	IC6002	S-81233SG-QF-X	IC
	IC6003	S-81330HG-KB-X	IC
	IC6004	S-80826ANNP-W	IC
	IC6101	BD9712KU	IC
	IC6401	MM1385XN	IC
	IC6601	TC7W74FK	IC
		or TC7WH74FK	IC
	IC8001	JCY0121-4	IC
	IC8002	MSM56V16160D1LS	IC
	IC8003	M32310D5WG	IC
	IC8004	MBV800TA90PBA00	IC(MICRO C ROM)
	IC8005	TC7S00FU	IC
		or SN74AHC1G00K	IC
	IC8006	MM1385NN	IC
	IC8007	MM1385EN	IC
	IC8008	TC7WHU04FK	IC
	IC8009	TC7WH34FK	IC

#	△ REF No.	PART No.	PART NAME, DESCRIPTION
	IC8101	TMS320DA050-G	IC
	IC8102	TC7MA2244FK	IC
	IC8103	TC7S04FU	IC
	Q1401	DTA114EE	TRANSISTOR
		or RN2102	TRANSISTOR
	Q1402	UMC3N	TRANSISTOR
	Q1403	UMC3N	TRANSISTOR
	Q1405	DTC143EE	TRANSISTOR
	Q1406	2SC4738FT/G/-X	TRANSISTOR
	Q1407	DTC124EE	TRANSISTOR
	Q1408	RN1104FT	TRANSISTOR
	Q2701	RN1104FT	TRANSISTOR
	Q2703	2SC4738FT/G/-X	TRANSISTOR
	Q2704	2SC4738FT/G/-X	TRANSISTOR
	Q2705	2SC4738FT/G/-X	TRANSISTOR
	Q2751	RN1104FT	TRANSISTOR
	Q2752	2SA1832FT/G/-X	TRANSISTOR
	Q2753	2SA1832FT/G/-X	TRANSISTOR
	Q2754	2SC4738FT/G/-X	TRANSISTOR
	Q2755	UMX1N	PAIR TRANSISTOR
	Q2756	2SA1832FT/G/-X	TRANSISTOR
	Q2757	RN2104FT	TRANSISTOR
	Q2758	RN1104FT	TRANSISTOR
	Q2759	RN1104FT	TRANSISTOR
	Q2760	2SC4738FT/G/-X	TRANSISTOR
	Q3501	2SC4226/4/-X	TRANSISTOR
	Q3502	2SD1979/S/-X	TRANSISTOR
	Q3503	2SD1979/S/-X	TRANSISTOR
	Q3504	2SC4226/4/-X	TRANSISTOR
	Q3551	2SA1577/QR/-X	TRANSISTOR
	Q3552	RN1104FT	TRANSISTOR
	Q3701	RN1104FT	TRANSISTOR
	Q3707	UMT2N	PAIR TRANSISTOR
	Q3708	2SA1832FT/G/-X	TRANSISTOR
	Q3709	2SA1832FT/G/-X	TRANSISTOR
	Q3710	2SA1832FT/G/-X	TRANSISTOR
	Q3711	2SC4738FT/G/-X	TRANSISTOR
	Q3712	UMA2N	TRANSISTOR
	Q3713	RN1104FT	TRANSISTOR
	Q3731	2SA1832FT/G/-X	TRANSISTOR
	Q4351	2SA1832FT/G/-X	TRANSISTOR
	Q4352	UMT2N	PAIR TRANSISTOR
	Q4353	UMT2N	PAIR TRANSISTOR
	Q4354	2SA1832FT/G/-X	TRANSISTOR
	Q6001	2SJ501	MOS FET
	Q6002	2SK3019	MOS FET
		or 2SK1830	MOS FET
	Q6003	2SJ347	MOS FET
	Q6004	2SK3019	MOS FET
		or 2SK1830	MOS FET
	Q6005	RN1104FT	TRANSISTOR
	Q6006	2SJ501	MOS FET
	Q6007	RN47A3	TRANSISTOR
	Q6103	NDS352AP	MOS FET
	Q6104	NDS352AP	MOS FET
	Q6105	NDS352AP	MOS FET
	Q6106	NDS352AP	MOS FET
	Q6107	NDS352AP	MOS FET
	Q6108	NDS352AP	MOS FET
	Q6109	NDS351AN	MOS FET
	Q6110	NDS352AP	MOS FET

#	△ REF No.	PART No.	PART NAME, DESCRIPTION	#	△ REF No.	PART No.	PART NAME, DESCRIPTION	
	Q6112	NDS352AP	MOS FET	R1035	NRSA6AJ-104W	MG RESISTOR	100kΩ,1/16W	
	Q6113	NDS351AN	MOS FET	R1036	NRSA63J-0R0X	MG RESISTOR	0Ω,1/16W	
	Q6201	HN1C01FU/G/-X	PAIR TRANSISTOR	R1037	NRSA6AJ-103W	MG RESISTOR	10kΩ,1/16W	
	Q6202	2SA1577/QR/-X	TRANSISTOR	R1038	NRSA6AJ-103W	MG RESISTOR	10kΩ,1/16W	
	Q6203	2SC4617/QR/-X	TRANSISTOR	R1039	NRSA6AJ-102W	MG RESISTOR	1kΩ,1/16W	
	Q6204	HN1A01FU/G/-X	PAIR TRANSISTOR	R1040	NRSA6AJ-102W	MG RESISTOR	1kΩ,1/16W	
	Q6205	2SC4617/QR/-X	TRANSISTOR	R1041	NRSA6AJ-104W	MG RESISTOR	100kΩ,1/16W	
	Q6206	2SA1774/QR/-X	TRANSISTOR	R1042	NRSA6AJ-473W	MG RESISTOR	47kΩ,1/16W	
	Q6207	DTC144EE	TRANSISTOR	R1043	NRSA6AJ-103W	MG RESISTOR	10kΩ,1/16W	
	Q6601	RN1104FT	TRANSISTOR	R1044	NRSA6AJ-472W	MG RESISTOR	4.7kΩ,1/16W	
	Q6602	2SA1873/YG/-X	PAIR TRANSISTOR	R1045	NRSA6AJ-222W	MG RESISTOR	2.2kΩ,1/16W	
	Q6611	2SA1832FT/G/-X	TRANSISTOR	R1047	NRSA6AD-473W	MG RESISTOR	47kΩ,1/16W	
	Q6612	2SA1873/YG/-X	PAIR TRANSISTOR	R1048	NRSA6AJ-104W	MG RESISTOR	100kΩ,1/16W	
	Q6613	2SC4738FT/G/-X	TRANSISTOR	R1050	NRSA6AJ-104W	MG RESISTOR	100kΩ,1/16W	
	Q6614	RN1702	TRANSISTOR	R1052	NRSA6AJ-103W	MG RESISTOR	10kΩ,1/16W	
	Q6615	UMC4N	TRANSISTOR	R1053	NRSA6AJ-0R0W	MG RESISTOR	0Ω,1/16W	
	D1002	1SS357	SB DIODE	R1054	NRSA6AJ-0R0W	MG RESISTOR	0Ω,1/16W	
	D1401	DA221	DIODE	R1055	NRSA6AJ-101W	MG RESISTOR	100Ω,1/16W	
	D2751	DAN222	DIODE	R1056	NRSA6AJ-101W	MG RESISTOR	100Ω,1/16W	
	D2752	DA221	DIODE	R1058	NRSA6AJ-0R0W	MG RESISTOR	0Ω,1/16W	
	D2753	DA221	DIODE	R1063	NRSA6AJ-102W	MG RESISTOR	1kΩ,1/16W	
	D4101	1SS355	DIODE	R1064	NRSA6AJ-473W	MG RESISTOR	47kΩ,1/16W	
△	D6001	RB706D-40-X	SB DIODE	R1067	NRSA6AJ-102W	MG RESISTOR	1kΩ,1/16W	
	D6002	RB715F	SB DIODE	R1068	NRSA6AJ-102W	MG RESISTOR	1kΩ,1/16W	
	D6101	EP10LA03	SB DIODE	R1080	NRSA6AJ-0R0W	MG RESISTOR	0Ω,1/16W	
	D6102	EP10LA03	SB DIODE	R1082	NRSA6AJ-0R0W	MG RESISTOR	0Ω,1/16W	
	D6103	EP10LA03	SB DIODE	R1084	NRSA6AJ-0R0W	MG RESISTOR	0Ω,1/16W	
	D6106	EP10LA03	SB DIODE	R1087	NRSA6AJ-104W	MG RESISTOR	100kΩ,1/16W	
	D6107	EP10LA03	SB DIODE	R1101	NRSA6AJ-333W	MG RESISTOR	33kΩ,1/16W	
	D6108	EP10LA03	SB DIODE	R1102	NRSA6AJ-472W	MG RESISTOR	4.7kΩ,1/16W	
	D6109	EP10LA03	SB DIODE	R1104	NRSA6AJ-105W	MG RESISTOR	1MΩ,1/16W	
	D6201	1SS383	SB DIODE	R1106	NRSA6AJ-105W	MG RESISTOR	1MΩ,1/16W	
	D6202	1SS383	SB DIODE	R1107	NRSA6AJ-103W	MG RESISTOR	10kΩ,1/16W	
	D6203	MA8091/L/-X	ZENER DIODE	R1108	NRSA6AJ-472W	MG RESISTOR	4.7kΩ,1/16W	
	R1002	NRSA6AJ-104W	MG RESISTOR	100kΩ,1/16W	R1109	NRSA6AJ-103W	MG RESISTOR	10kΩ,1/16W
	R1003	NRSA6AJ-104W	MG RESISTOR	100kΩ,1/16W	R1401	NRSA6AJ-102W	MG RESISTOR	1kΩ,1/16W
	R1004	NRSA6AJ-0R0W	MG RESISTOR	0Ω,1/16W	R1402	NRSA6AJ-222W	MG RESISTOR	2.2kΩ,1/16W
	R1005	NRSA6AJ-102W	MG RESISTOR	1kΩ,1/16W	R1403	NRSA6AJ-222W	MG RESISTOR	2.2kΩ,1/16W
	R1006	NRSA6AJ-102W	MG RESISTOR	1kΩ,1/16W	R1404	NRSA6AJ-0R0W	MG RESISTOR	0Ω,1/16W
	R1007	NRSA6AJ-473W	MG RESISTOR	47kΩ,1/16W	R1408	NRSA6AJ-472W	MG RESISTOR	4.7kΩ,1/16W
	R1009	NRSA6AJ-393W	MG RESISTOR	39kΩ,1/16W	R1409	NRSA6AJ-331W	MG RESISTOR	330Ω,1/16W
	R1010	NRSA6AJ-473W	MG RESISTOR	47kΩ,1/16W	R1410	NRSA6AJ-331W	MG RESISTOR	330Ω,1/16W
	R1011	NRSA6AJ-102W	MG RESISTOR	1kΩ,1/16W	R1411	NRSA6AJ-473W	MG RESISTOR	47kΩ,1/16W
	R1012	NRSA6AJ-223W	MG RESISTOR	22kΩ,1/16W	R1412	NRSA6AJ-331W	MG RESISTOR	330Ω,1/16W
	R1013	NRSA6AJ-102W	MG RESISTOR	1kΩ,1/16W	R1415	NRSA6AJ-0R0W	MG RESISTOR	0Ω,1/16W
	R1015	NRSA6AJ-102W	MG RESISTOR	1kΩ,1/16W	R1417	NRSA6AJ-102W	MG RESISTOR	1kΩ,1/16W
	R1016	NRSA6AJ-102W	MG RESISTOR	1kΩ,1/16W	R1418	NRSA6AJ-221W	MG RESISTOR	220Ω,1/16W
	R1017	NRSA6AJ-103W	MG RESISTOR	10kΩ,1/16W	R1419	NRSA6AJ-221W	MG RESISTOR	220Ω,1/16W
	R1018	NRSA6AJ-822W	MG RESISTOR	8.2kΩ,1/16W	R1420	NRSA6AJ-473W	MG RESISTOR	47kΩ,1/16W
	R1019	NRSA6AJ-102W	MG RESISTOR	1kΩ,1/16W	R1422	NRSA6AJ-332W	MG RESISTOR	3.3kΩ,1/16W
	R1020	NRSA6AJ-123W	MG RESISTOR	12kΩ,1/16W	R1423	NRSA6AJ-332W	MG RESISTOR	3.3kΩ,1/16W
	R1021	NRSA6AJ-0R0W	MG RESISTOR	0Ω,1/16W	R1424	NRSA6AJ-332W	MG RESISTOR	3.3kΩ,1/16W
	R1023	NRSA6AJ-0R0W	MG RESISTOR	0Ω,1/16W	R1425	NRSA6AJ-753W	MG RESISTOR	75kΩ,1/16W
	R1024	NRSA6AJ-0R0W	MG RESISTOR	0Ω,1/16W	R1426	NRSA6AJ-334W	MG RESISTOR	330kΩ,1/16W
	R1025	NRSA6AJ-0R0W	MG RESISTOR	0Ω,1/16W	R1427	NRSA6AJ-103W	MG RESISTOR	10kΩ,1/16W
	R1028	NRSA6AJ-102W	MG RESISTOR	1kΩ,1/16W	R1428	NRSA6AJ-153W	MG RESISTOR	15kΩ,1/16W
	R1030	NRSA6AJ-102W	MG RESISTOR	1kΩ,1/16W	R1429	NRSA6AJ-102W	MG RESISTOR	1kΩ,1/16W
	R1031	NRSA6AJ-102W	MG RESISTOR	1kΩ,1/16W	R1430	NRSA6AJ-102W	MG RESISTOR	1kΩ,1/16W
	R1032	NRSA6AJ-0R0W	MG RESISTOR	0Ω,1/16W	R1431	NRSA6AJ-683W	MG RESISTOR	68kΩ,1/16W
	R1033	NRSA6AJ-102W	MG RESISTOR	1kΩ,1/16W	R1432	NRSA6AJ-102W	MG RESISTOR	1kΩ,1/16W
	R1034	NRSA6AJ-0R0W	MG RESISTOR	0Ω,1/16W	R1433	NRSA6AJ-683W	MG RESISTOR	68kΩ,1/16W

#	△ REF No.	PART No.	PART NAME, DESCRIPTION	#	△ REF No.	PART No.	PART NAME, DESCRIPTION
R1434		NRSA63J-101X	MG RESISTOR 100Ω,1/16W	R2714		NRSA6AJ-822W	MG RESISTOR 8.2kΩ,1/16W
R1436		NRSA63J-820X	MG RESISTOR 82Ω,1/16W	R2716		NRSA6AJ-0R0W	MG RESISTOR 0Ω,1/16W
R1438		NRSA6AJ-0R0W	MG RESISTOR 0Ω,1/16W	R2719		NRSA6AJ-103W	MG RESISTOR 10kΩ,1/16W
R1439		NRSA6AJ-332W	MG RESISTOR 3.3kΩ,1/16W	R2721		NRSA6AJ-103W	MG RESISTOR 10kΩ,1/16W
R1440		NRSA6AJ-332W	MG RESISTOR 3.3kΩ,1/16W	R2722		NRSA6AJ-0R0W	MG RESISTOR 0Ω,1/16W
R1441		NRSA6AJ-332W	MG RESISTOR 3.3kΩ,1/16W	R2725		NRSA6AJ-332W	MG RESISTOR 3.3kΩ,1/16W
R1442		NRSA6AJ-332W	MG RESISTOR 3.3kΩ,1/16W	R2751		NRSA6AJ-820W	MG RESISTOR 82Ω,1/16W
R1443		NRSA6AJ-0R0W	MG RESISTOR 0Ω,1/16W	R2752		NRSA6AJ-820W	MG RESISTOR 82Ω,1/16W
R1444		NRSA6AJ-0R0W	MG RESISTOR 0Ω,1/16W	R2753		NRSA6AJ-104W	MG RESISTOR 100kΩ,1/16W
R1447		NRSA6AJ-103W	MG RESISTOR 10kΩ,1/16W	R2754		NRSA6AJ-104W	MG RESISTOR 100kΩ,1/16W
R1448		NRSA6AJ-153W	MG RESISTOR 15kΩ,1/16W	R2755		NRSA6AJ-104W	MG RESISTOR 100kΩ,1/16W
R1449		NRSA6AJ-472W	MG RESISTOR 4.7kΩ,1/16W	R2756		NRSA6AJ-332W	MG RESISTOR 3.3kΩ,1/16W
R1450		NRSA6AJ-103W	MG RESISTOR 10kΩ,1/16W	R2757		NRSA6AJ-564W	MG RESISTOR 560kΩ,1/16W
R1451		NRSA6AJ-224W	MG RESISTOR 220kΩ,1/16W	R2758		NRSA6AJ-564W	MG RESISTOR 560kΩ,1/16W
R1452		NRSA6AJ-334W	MG RESISTOR 330kΩ,1/16W	R2759		NRSA6AJ-821W	MG RESISTOR 820Ω,1/16W
R1453		NRSA6AJ-103W	MG RESISTOR 10kΩ,1/16W	R2760		NRSA6AJ-821W	MG RESISTOR 820Ω,1/16W
R1454		NRSA6AJ-474W	MG RESISTOR 470kΩ,1/16W	R2764		NRSA6AJ-182W	MG RESISTOR 1.8kΩ,1/16W
R1455		NRSA6AJ-154W	MG RESISTOR 150kΩ,1/16W	R2766		NRSA6AJ-0R0W	MG RESISTOR 0Ω,1/16W
R1456		NRSA6AJ-473W	MG RESISTOR 47kΩ,1/16W	R2767		NRSA6AJ-222W	MG RESISTOR 2.2kΩ,1/16W
R1457		NRSA6AJ-272W	MG RESISTOR 2.7kΩ,1/16W	R2768		NRSA6AJ-564W	MG RESISTOR 560kΩ,1/16W
R1458		NRSA6AJ-183W	MG RESISTOR 18kΩ,1/16W	R2769		NRSA6AJ-152W	MG RESISTOR 1.5kΩ,1/16W
R1459		NRSA6AJ-472W	MG RESISTOR 4.7kΩ,1/16W	R2770		NRSA6AJ-104W	MG RESISTOR 100kΩ,1/16W
R1460		NRSA6AJ-103W	MG RESISTOR 10kΩ,1/16W	R2771		NRSA6AJ-0R0W	MG RESISTOR 0Ω,1/16W
R1461		NRSA6AJ-104W	MG RESISTOR 100kΩ,1/16W	R2772		NRSA6AJ-0R0W	MG RESISTOR 0Ω,1/16W
R1462		NRSA6AJ-102W	MG RESISTOR 1kΩ,1/16W	R2773		NRSA6AJ-0R0W	MG RESISTOR 0Ω,1/16W
R1463		NRSA6AJ-102W	MG RESISTOR 1kΩ,1/16W	R2774		NRSA6AJ-102W	MG RESISTOR 1kΩ,1/16W
R1464		NRSA6AJ-102W	MG RESISTOR 1kΩ,1/16W	R3001		NRSA6AJ-101W	MG RESISTOR 100Ω,1/16W
R1465		NRSA6AJ-103W	MG RESISTOR 10kΩ,1/16W	R3002		NRSA6AJ-105W	MG RESISTOR 1MΩ,1/16W
R1466		NRSA6AJ-474W	MG RESISTOR 470kΩ,1/16W	R3003		NRSA6AJ-471W	MG RESISTOR 470Ω,1/16W
R1469		NRSA6AJ-102W	MG RESISTOR 1kΩ,1/16W	R3004		NRSA6AJ-331W	MG RESISTOR 330Ω,1/16W
R1470		NRSA6AJ-473W	MG RESISTOR 47kΩ,1/16W	R3006		NRSA6AJ-0R0W	MG RESISTOR 0Ω,1/16W
R1471		NRSA6AJ-102W	MG RESISTOR 1kΩ,1/16W	R3007		NRSA6AJ-0R0W	MG RESISTOR 0Ω,1/16W
R1472		NRSA6AJ-473W	MG RESISTOR 47kΩ,1/16W	R3008		NRSA6AJ-0R0W	MG RESISTOR 0Ω,1/16W
R1474		NRSA6AJ-472W	MG RESISTOR 4.7kΩ,1/16W	R3010		NRSA6AJ-0R0W	MG RESISTOR 0Ω,1/16W
R1478		NRSA63J-0R0X	MG RESISTOR 0Ω,1/16W	R3012		NRSA6AJ-0R0W	MG RESISTOR 0Ω,1/16W
R1480		NRSA6AJ-682W	MG RESISTOR 6.8kΩ,1/16W	R3014		NRSA6AJ-124W	MG RESISTOR 120kΩ,1/16W
R1481		NRSA6AJ-392W	MG RESISTOR 3.9kΩ,1/16W	R3015		NRSA6AJ-124W	MG RESISTOR 120kΩ,1/16W
R1482		NRSA6AJ-272W	MG RESISTOR 2.7kΩ,1/16W	R3016		NRSA6AJ-0R0W	MG RESISTOR 0Ω,1/16W
R1483		NRSA6AJ-182W	MG RESISTOR 1.8kΩ,1/16W	R3017		NRSA6AJ-272W	MG RESISTOR 2.7kΩ,1/16W
R1484		NRSA6AJ-152W	MG RESISTOR 1.5kΩ,1/16W	R3018		NRSA6AJ-102W	MG RESISTOR 1kΩ,1/16W
R1485		NRSA6AJ-103W	MG RESISTOR 10kΩ,1/16W	R3019		NRSA6AJ-101W	MG RESISTOR 100Ω,1/16W
R1486		NRSA6AJ-272W	MG RESISTOR 2.7kΩ,1/16W	R3021		NRSA6AJ-0R0W	MG RESISTOR 0Ω,1/16W
R1487		NRSA6AJ-182W	MG RESISTOR 1.8kΩ,1/16W	R3022		NRSA6AJ-0R0W	MG RESISTOR 0Ω,1/16W
R1488		NRSA6AJ-152W	MG RESISTOR 1.5kΩ,1/16W	R3024		NRSA6AJ-100W	MG RESISTOR 10Ω,1/16W
R1489		NRSA6AJ-103W	MG RESISTOR 10kΩ,1/16W	R3026		NRSA6AJ-0R0W	MG RESISTOR 0Ω,1/16W
R1490		NRSA6AJ-393W	MG RESISTOR 39kΩ,1/16W	R3031		NRSA6AJ-472W	MG RESISTOR 4.7kΩ,1/16W
R1491		NRSA6AJ-273W	MG RESISTOR 27kΩ,1/16W	R3032		NRSA6AJ-682W	MG RESISTOR 6.8kΩ,1/16W
R1495		NRSA6AJ-272W	MG RESISTOR 2.7kΩ,1/16W	R3033		NRSA6AJ-105W	MG RESISTOR 1MΩ,1/16W
R1496		NRSA6AJ-182W	MG RESISTOR 1.8kΩ,1/16W	R3036		NRSA6AJ-105W	MG RESISTOR 1MΩ,1/16W
R1497		NRSA6AJ-152W	MG RESISTOR 1.5kΩ,1/16W	R3037		NRSA6AJ-101W	MG RESISTOR 100Ω,1/16W
R1498		NRSA6AJ-103W	MG RESISTOR 10kΩ,1/16W	R3038		NRSA6AJ-0R0W	MG RESISTOR 0Ω,1/16W
R1499		NRSA6AJ-473W	MG RESISTOR 47kΩ,1/16W	R3039		NRSA6AJ-0R0W	MG RESISTOR 0Ω,1/16W
R2701		NRSA6AJ-221W	MG RESISTOR 220Ω,1/16W	R3040		NRSA6AJ-0R0W	MG RESISTOR 0Ω,1/16W
R2702		NRSA6AJ-100W	MG RESISTOR 10Ω,1/16W	R3041		NRSA6AJ-0R0W	MG RESISTOR 0Ω,1/16W
R2705		NRSA6AJ-0R0W	MG RESISTOR 0Ω,1/16W	R3101		NRSA6AJ-331W	MG RESISTOR 330Ω,1/16W
R2706		NRSA6AJ-104W	MG RESISTOR 100kΩ,1/16W	R3102		NRSA6AJ-103W	MG RESISTOR 10kΩ,1/16W
R2709		NRSA6AJ-221W	MG RESISTOR 220Ω,1/16W	R3103		NRSA6AJ-331W	MG RESISTOR 330Ω,1/16W
R2710		NRSA6AJ-332W	MG RESISTOR 3.3kΩ,1/16W	R3104		NRSA6AJ-394W	MG RESISTOR 390kΩ,1/16W
R2711		NRSA6AJ-103W	MG RESISTOR 10kΩ,1/16W	R3105		NRSA6AJ-104W	MG RESISTOR 100kΩ,1/16W
R2712		NRSA6AJ-103W	MG RESISTOR 10kΩ,1/16W	R3106		NRSA6AJ-472W	MG RESISTOR 4.7kΩ,1/16W
R2713		NRSA6AJ-822W	MG RESISTOR 8.2kΩ,1/16W	R3107		NRSA6AJ-560W	MG RESISTOR 56Ω,1/16W

#	△ REF No.	PART No.	PART NAME, DESCRIPTION	#	△ REF No.	PART No.	PART NAME, DESCRIPTION	
R3108		NRSA6AJ-560W	MG RESISTOR	56Ω,1/16W	R3510	NRSA6AJ-181W	MG RESISTOR	180Ω,1/16W
R3109		NRSA6AJ-560W	MG RESISTOR	56Ω,1/16W	R3511	NRSA6AJ-102W	MG RESISTOR	1kΩ,1/16W
R3110		NRSA6AJ-560W	MG RESISTOR	56Ω,1/16W	R3512	NRSA6AJ-123W	MG RESISTOR	12kΩ,1/16W
R3111		NRSA6AJ-512W	MG RESISTOR	5.1kΩ,1/16W	R3513	NRSA6AJ-152W	MG RESISTOR	1.5kΩ,1/16W
R3112		NRSA6AJ-0R0W	MG RESISTOR	0Ω,1/16W	R3514	NRSA6AJ-680W	MG RESISTOR	68Ω,1/16W
R3113		NRSA6AJ-474W	MG RESISTOR	470kΩ,1/16W	R3515	NRSA6AJ-100W	MG RESISTOR	10Ω,1/16W
R3114		NRSA6AJ-512W	MG RESISTOR	5.1kΩ,1/16W	R3516	NRSA6AJ-152W	MG RESISTOR	1.5kΩ,1/16W
R3201		NRSA6AJ-0R0W	MG RESISTOR	0Ω,1/16W	R3517	NRSA6AJ-102W	MG RESISTOR	1kΩ,1/16W
R3202		NRSA6AJ-0R0W	MG RESISTOR	0Ω,1/16W	R3551	NRSA6AJ-473W	MG RESISTOR	47kΩ,1/16W
R3203		NRSA6AJ-272W	MG RESISTOR	2.7kΩ,1/16W	R3552	NRSA6AJ-392W	MG RESISTOR	3.9kΩ,1/16W
R3204		NRSA6AJ-473W	MG RESISTOR	47kΩ,1/16W	R3554	NRSA6AJ-471W	MG RESISTOR	470Ω,1/16W
R3208		NRSA6AJ-820W	MG RESISTOR	82Ω,1/16W	R3555	NRSA6AJ-0R0W	MG RESISTOR	0Ω,1/16W
R3209		NRSA6AJ-101W	MG RESISTOR	100Ω,1/16W	R3556	NRSA6AJ-0R0W	MG RESISTOR	0Ω,1/16W
R3211		NRSA6AJ-105W	MG RESISTOR	1MΩ,1/16W	R3701	NRSA6AJ-225W	MG RESISTOR	2.2MΩ,1/16W
R3303		NRSA6AJ-823W	MG RESISTOR	82kΩ,1/16W	R3702	NRSA6AJ-103W	MG RESISTOR	10kΩ,1/16W
R3305		NRSA6AJ-121W	MG RESISTOR	120Ω,1/16W	R3703	NRSA6AJ-103W	MG RESISTOR	10kΩ,1/16W
R3306		NRSA6AJ-391W	MG RESISTOR	390Ω,1/16W	R3704	NRSA6AJ-121W	MG RESISTOR	120Ω,1/16W
R3308		NRSA6AJ-152W	MG RESISTOR	1.5kΩ,1/16W	R3705	NRSA6AJ-121W	MG RESISTOR	120Ω,1/16W
R3310		NRSA6AJ-102W	MG RESISTOR	1kΩ,1/16W	R3706	NRSA6AJ-821W	MG RESISTOR	820Ω,1/16W
R3312		NRSA6AJ-222W	MG RESISTOR	2.2kΩ,1/16W	R3707	NRSA6AJ-224W	MG RESISTOR	220kΩ,1/16W
R3315		NRSA6AJ-103W	MG RESISTOR	10kΩ,1/16W	R3708	NRSA6AJ-103W	MG RESISTOR	10kΩ,1/16W
R3316		NRSA6AJ-0R0W	MG RESISTOR	0Ω,1/16W	R3709	NRSA6AJ-680W	MG RESISTOR	68Ω,1/16W
R3317		NRSA6AJ-222W	MG RESISTOR	2.2kΩ,1/16W	R3711	NRSA6AJ-680W	MG RESISTOR	68Ω,1/16W
R3318		NRSA6AJ-562W	MG RESISTOR	5.6kΩ,1/16W	R3713	NRSA6AJ-680W	MG RESISTOR	68Ω,1/16W
R3319		NRSA6AJ-102W	MG RESISTOR	1kΩ,1/16W	R3720	NRSA6AJ-472W	MG RESISTOR	4.7kΩ,1/16W
R3320		NRSA6AJ-102W	MG RESISTOR	1kΩ,1/16W	R3721	NRSA6AJ-203W	MG RESISTOR	20kΩ,1/16W
R3322		NRSA6AJ-222W	MG RESISTOR	2.2kΩ,1/16W	R3722	NRSA6AJ-103W	MG RESISTOR	10kΩ,1/16W
R3323		NRSA6AJ-823W	MG RESISTOR	82kΩ,1/16W	R3723	NRSA6AJ-103W	MG RESISTOR	10kΩ,1/16W
R3324		NRSA6AJ-223W	MG RESISTOR	22kΩ,1/16W	R3724	NRSA6AJ-103W	MG RESISTOR	10kΩ,1/16W
R3325		NRSA6AJ-103W	MG RESISTOR	10kΩ,1/16W	R3725	NRSA6AJ-100W	MG RESISTOR	10Ω,1/16W
R3326		NRSA6AJ-103W	MG RESISTOR	10kΩ,1/16W	R3726	NRSA6AJ-100W	MG RESISTOR	10Ω,1/16W
R3327		NRSA6AJ-103W	MG RESISTOR	10kΩ,1/16W	R3727	NRSA6AJ-680W	MG RESISTOR	68Ω,1/16W
R3328		NRSA6AJ-822W	MG RESISTOR	8.2kΩ,1/16W	R3728	NRSA6AJ-821W	MG RESISTOR	820Ω,1/16W
R3329		NRSA6AJ-105W	MG RESISTOR	1MΩ,1/16W	R3731	NRVA6AD-681W	CMF RESISTOR	680Ω,1/16W
R3330		NRSA6AJ-473W	MG RESISTOR	47kΩ,1/16W	R3732	NRVA6AD-472W	CMF RESISTOR	4.7kΩ,1/16W
R3331		NRSA6AJ-473W	MG RESISTOR	47kΩ,1/16W	R3733	NRVA6AD-332W	CMF RESISTOR	3.3kΩ,1/16W
R3332		NRSA6AJ-823W	MG RESISTOR	82kΩ,1/16W	R3734	NRSA6AJ-222W	MG RESISTOR	2.2kΩ,1/16W
R3333		NRSA6AJ-333W	MG RESISTOR	33kΩ,1/16W	R4101	NRSA6AJ-104W	MG RESISTOR	100kΩ,1/16W
R3334		NRSA6AJ-105W	MG RESISTOR	1MΩ,1/16W	R4208	NRSA6AJ-223W	MG RESISTOR	22kΩ,1/16W
R3335		NRSA6AJ-822W	MG RESISTOR	8.2kΩ,1/16W	R4209	NRSA6AJ-220W	MG RESISTOR	22Ω,1/16W
R3336		NRSA6AJ-103W	MG RESISTOR	10kΩ,1/16W	R4211	NRSA6AJ-221W	MG RESISTOR	220Ω,1/16W
R3337		NRSA6AJ-103W	MG RESISTOR	10kΩ,1/16W	R4212	NRSA6AJ-221W	MG RESISTOR	220Ω,1/16W
R3338		NRSA6AJ-123W	MG RESISTOR	12kΩ,1/16W	R4213	NRSA6AJ-221W	MG RESISTOR	220Ω,1/16W
R3339		NRSA6AJ-273W	MG RESISTOR	27kΩ,1/16W	R4214	NRSA6AJ-221W	MG RESISTOR	220Ω,1/16W
R3340		NRSA6AJ-473W	MG RESISTOR	47kΩ,1/16W	R4215	NRSA6AJ-221W	MG RESISTOR	220Ω,1/16W
R3341		NRSA6AJ-223W	MG RESISTOR	22kΩ,1/16W	R4216	NRSA6AJ-221W	MG RESISTOR	220Ω,1/16W
R3342		NRSA6AJ-102W	MG RESISTOR	1kΩ,1/16W	R4217	NRSA6AJ-221W	MG RESISTOR	220Ω,1/16W
R3344		NRSA6AJ-101W	MG RESISTOR	100Ω,1/16W	R4218	NRSA6AJ-221W	MG RESISTOR	220Ω,1/16W
R3349		NRSA6AJ-0R0W	MG RESISTOR	0Ω,1/16W	R4219	NRSA6AJ-221W	MG RESISTOR	220Ω,1/16W
R3350		NRSA6AJ-471W	MG RESISTOR	470Ω,1/16W	R4220	NRSA6AJ-221W	MG RESISTOR	220Ω,1/16W
R3351		NRSA6AJ-102W	MG RESISTOR	1kΩ,1/16W	R4302	NRSA6AJ-330W	MG RESISTOR	33Ω,1/16W
R3352		NRSA6AJ-562W	MG RESISTOR	5.6kΩ,1/16W	R4303	NRSA6AJ-101W	MG RESISTOR	100Ω,1/16W
R3353		NRSA6AJ-473W	MG RESISTOR	47kΩ,1/16W	R4304	NRSA6AJ-101W	MG RESISTOR	100Ω,1/16W
R3502		NRSA6AJ-471W	MG RESISTOR	470Ω,1/16W	R4305	NRSA6AJ-101W	MG RESISTOR	100Ω,1/16W
R3503		NRSA6AJ-103W	MG RESISTOR	10kΩ,1/16W	R4306	NRSA6AJ-101W	MG RESISTOR	100Ω,1/16W
R3504		NRSA6AJ-471W	MG RESISTOR	470Ω,1/16W	R4308	NRSA6AJ-0R0W	MG RESISTOR	0Ω,1/16W
R3505		NRSA6AJ-680W	MG RESISTOR	68Ω,1/16W	R4313	NRSA6AJ-0R0W	MG RESISTOR	0Ω,1/16W
R3506		NRSA6AJ-152W	MG RESISTOR	1.5kΩ,1/16W	R4314	NRSA6AJ-0R0W	MG RESISTOR	0Ω,1/16W
R3507		NRSA6AJ-123W	MG RESISTOR	12kΩ,1/16W	R4315	NRSA6AJ-0R0W	MG RESISTOR	0Ω,1/16W
R3508		NRSA6AJ-102W	MG RESISTOR	1kΩ,1/16W	R4316	NRSA6AJ-0R0W	MG RESISTOR	0Ω,1/16W
R3509		NRSA6AJ-181W	MG RESISTOR	180Ω,1/16W	R4317	NRSA6AJ-0R0W	MG RESISTOR	0Ω,1/16W

#	△	REF No.	PART No.	PART NAME, DESCRIPTION		#	△	REF No.	PART No.	PART NAME, DESCRIPTION	
R4318			NRSA6AJ-101W	MG RESISTOR	100Ω,1/16W	R5013			NRSA6AJ-0R0W	MG RESISTOR	0Ω,1/16W
R4320			NRSA6AJ-220W	MG RESISTOR	22Ω,1/16W	R5014			NRSA6AJ-220W	MG RESISTOR	22Ω,1/16W
R4321			NRSA6AJ-220W	MG RESISTOR	22Ω,1/16W	R5015			NRSA6AJ-220W	MG RESISTOR	22Ω,1/16W
R4322			NRSA6AJ-333W	MG RESISTOR	33kΩ,1/16W	R5016			NRSA6AJ-0R0W	MG RESISTOR	0Ω,1/16W
R4323			NRSA6AJ-333W	MG RESISTOR	33kΩ,1/16W	R5018			NRSA6AJ-330W	MG RESISTOR	33Ω,1/16W
R4327			NRSA6AJ-0R0W	MG RESISTOR	0Ω,1/16W	R5020			NRSA6AJ-220W	MG RESISTOR	22Ω,1/16W
R4328			NRSA6AJ-220W	MG RESISTOR	22Ω,1/16W	R5021			NRSA6AJ-220W	MG RESISTOR	22Ω,1/16W
R4329			NRSA6AJ-220W	MG RESISTOR	22Ω,1/16W	R5022			NRSA6AJ-181W	MG RESISTOR	180Ω,1/16W
R4334			NRSA6AJ-220W	MG RESISTOR	22Ω,1/16W	R5024			NRSA6AJ-330W	MG RESISTOR	33Ω,1/16W
R4335			NRSA6AJ-220W	MG RESISTOR	22Ω,1/16W	R5025			NRSA6AJ-330W	MG RESISTOR	33Ω,1/16W
R4336			NRSA6AJ-0R0W	MG RESISTOR	0Ω,1/16W	R5026			NRSA6AJ-220W	MG RESISTOR	22Ω,1/16W
R4338			NRSA6AJ-470W	MG RESISTOR	47Ω,1/16W	R5027			NRSA6AJ-330W	MG RESISTOR	33Ω,1/16W
R4339			NRSA6AJ-220W	MG RESISTOR	22Ω,1/16W	R5028			NRSA6AJ-330W	MG RESISTOR	33Ω,1/16W
R4340			NRSA6AJ-220W	MG RESISTOR	22Ω,1/16W	R6001			NRSA6AJ-104W	MG RESISTOR	100kΩ,1/16W
R4341			NRSA6AJ-220W	MG RESISTOR	22Ω,1/16W	R6002			NRVA6AD-183W	CMF RESISTOR	18kΩ,1/16W
R4342			NRSA6AJ-220W	MG RESISTOR	22Ω,1/16W	R6003			NRSA6AJ-104W	MG RESISTOR	100kΩ,1/16W
R4345			NRSA6AJ-220W	MG RESISTOR	22Ω,1/16W	R6004			NRSA6AJ-102W	MG RESISTOR	1kΩ,1/16W
R4347			NRSA6AJ-123W	MG RESISTOR	12kΩ,1/16W	R6005			NRSA6AJ-224W	MG RESISTOR	220kΩ,1/16W
R4348			NRSA6AJ-153W	MG RESISTOR	15kΩ,1/16W	R6006			NRSA6AJ-104W	MG RESISTOR	100kΩ,1/16W
R4351			NRSA6AJ-0R0W	MG RESISTOR	0Ω,1/16W	R6007			NRSA6AJ-104W	MG RESISTOR	100kΩ,1/16W
R4352			NRSA6AJ-0R0W	MG RESISTOR	0Ω,1/16W	R6009			NRSA6AJ-222W	MG RESISTOR	2.2kΩ,1/16W
R4353			NRSA6AJ-0R0W	MG RESISTOR	0Ω,1/16W	R6010			NRSA6AJ-104W	MG RESISTOR	100kΩ,1/16W
R4354			NRSA6AJ-0R0W	MG RESISTOR	0Ω,1/16W	R6011			NRSA6AJ-104W	MG RESISTOR	100kΩ,1/16W
R4355			NRVA6AD-333W	CMF RESISTOR	33kΩ,1/16W	R6012			NRVA6AD-823W	CMF RESISTOR	82kΩ,1/16W
R4356			NRVA6AD-333W	CMF RESISTOR	33kΩ,1/16W	R6013			NRVA6AD-473W	CMF RESISTOR	47kΩ,1/16W
R4358			NRVA6AD-163W	CMF RESISTOR	16kΩ,1/16W	△	R6017		NRSA63J-102X	MG RESISTOR	1kΩ,1/16W
R4359			NRVA6AD-363W	CMF RESISTOR	36kΩ,1/16W	R6018			NRSA63J-471X	MG RESISTOR	470Ω,1/16W
R4360			NRVA6AD-163W	CMF RESISTOR	16kΩ,1/16W	R6019			NRSA63J-0R0X	MG RESISTOR	0Ω,1/16W
R4361			NRVA6AD-333W	CMF RESISTOR	33kΩ,1/16W	R6101			NRVA6AD-183W	CMF RESISTOR	18kΩ,1/16W
R4362			NRVA6AD-163W	CMF RESISTOR	16kΩ,1/16W	R6102			NRVA6AD-183W	CMF RESISTOR	18kΩ,1/16W
R4363			NRSA6AJ-153W	MG RESISTOR	15kΩ,1/16W	R6103			NRVA6AD-273W	CMF RESISTOR	27kΩ,1/16W
R4364			NRSA6AJ-103W	MG RESISTOR	10kΩ,1/16W	R6104			NRVA6AD-302W	CMF RESISTOR	3kΩ,1/16W
R4365			NRSA6AJ-0R0W	MG RESISTOR	0Ω,1/16W	R6105			NRVA6AD-473W	CMF RESISTOR	47kΩ,1/16W
R4367			NRSA6AJ-102W	MG RESISTOR	1kΩ,1/16W	R6106			NRVA6AD-242W	CMF RESISTOR	2.4kΩ,1/16W
R4369			NRVA6AD-181W	CMF RESISTOR	180Ω,1/16W	R6107			NRVA6AD-432W	CMF RESISTOR	4.3kΩ,1/16W
R4370			NRSA6AJ-102W	MG RESISTOR	1kΩ,1/16W	R6109			NRVA6AD-822W	CMF RESISTOR	8.2kΩ,1/16W
R4371			NRVA6AD-680W	CMF RESISTOR	68Ω,1/16W	R6110			NRVA6AD-473W	CMF RESISTOR	47kΩ,1/16W
R4372			NRSA6AJ-222W	MG RESISTOR	2.2kΩ,1/16W	R6111			NRVA6AD-243W	CMF RESISTOR	24kΩ,1/16W
R4373			NRSA6AJ-222W	MG RESISTOR	2.2kΩ,1/16W	R6112			NRVA6AD-182W	CMF RESISTOR	1.8kΩ,1/16W
R4374			NRVA6AD-560W	CMF RESISTOR	56Ω,1/16W	R6114			NRVA6AD-243W	CMF RESISTOR	24kΩ,1/16W
R4375			NRVA6AD-271W	CMF RESISTOR	270Ω,1/16W	R6115			NRVA6AD-302W	CMF RESISTOR	3kΩ,1/16W
R4376			NRSA6AJ-222W	MG RESISTOR	2.2kΩ,1/16W	R6117			NRVA6AD-512W	CMF RESISTOR	5.1kΩ,1/16W
R4377			NRVA6AD-270W	CMF RESISTOR	27Ω,1/16W	R6118			NRVA6AD-472W	CMF RESISTOR	4.7kΩ,1/16W
R4378			NRSA6AJ-222W	MG RESISTOR	2.2kΩ,1/16W	R6120			NRVA6AD-153W	CMF RESISTOR	15kΩ,1/16W
R4379			NRVA6AD-273W	CMF RESISTOR	27kΩ,1/16W	R6122			NRVA6AD-623W	CMF RESISTOR	62kΩ,1/16W
R4381			NRVA6AD-273W	CMF RESISTOR	27kΩ,1/16W	R6123			NRVA63D-682X	CMF RESISTOR	6.8kΩ,1/16W
R4382			NRVA6AD-273W	CMF RESISTOR	27kΩ,1/16W	R6124			NRVA6AD-223W	CMF RESISTOR	22kΩ,1/16W
R4383			NRSA6AJ-221W	MG RESISTOR	220Ω,1/16W	R6125			NRVA6AD-473W	CMF RESISTOR	47kΩ,1/16W
R4384			NRSA6AJ-221W	MG RESISTOR	220Ω,1/16W	R6126			NRVA63D-682X	CMF RESISTOR	6.8kΩ,1/16W
R4385			NRSA6AJ-221W	MG RESISTOR	220Ω,1/16W	R6127			NRVA6AD-223W	CMF RESISTOR	22kΩ,1/16W
R4386			NRSA6AJ-221W	MG RESISTOR	220Ω,1/16W	R6128			NRVA6AD-123W	CMF RESISTOR	12kΩ,1/16W
R4387			NRSA6AJ-221W	MG RESISTOR	220Ω,1/16W	R6129			NRVA6AD-473W	CMF RESISTOR	47kΩ,1/16W
R4388			NRSA6AJ-221W	MG RESISTOR	220Ω,1/16W	R6131			NRVA6AD-272W	CMF RESISTOR	2.7kΩ,1/16W
R4389			NRSA6AJ-221W	MG RESISTOR	220Ω,1/16W	R6132			NRVA6AD-302W	CMF RESISTOR	3kΩ,1/16W
R4390			NRSA6AJ-221W	MG RESISTOR	220Ω,1/16W	R6134			NRVA6AD-562W	CMF RESISTOR	5.6kΩ,1/16W
R5005			NRSA6AJ-220W	MG RESISTOR	22Ω,1/16W	R6135			NRVA6AD-102W	CMF RESISTOR	1kΩ,1/16W
R5006			NRSA6AJ-220W	MG RESISTOR	22Ω,1/16W	R6136			NRVA6AD-562W	CMF RESISTOR	5.6kΩ,1/16W
R5007			NRSA6AJ-220W	MG RESISTOR	22Ω,1/16W	R6138			NRVA6AD-333W	CMF RESISTOR	33kΩ,1/16W
R5010			NRSA6AJ-330W	MG RESISTOR	33Ω,1/16W	R6139			NRVA6AD-272W	CMF RESISTOR	2.7kΩ,1/16W
R5011			NRSA6AJ-330W	MG RESISTOR	33Ω,1/16W	R6140			NRVA6AD-302W	CMF RESISTOR	3kΩ,1/16W
R5012			NRSA6AJ-220W	MG RESISTOR	22Ω,1/16W	R6142			NRVA6AD-562W	CMF RESISTOR	5.6kΩ,1/16W

#	△	REF No.	PART No.	PART NAME, DESCRIPTION	#	△	REF No.	PART No.	PART NAME, DESCRIPTION	
R6143			NRVA6AD-682W	CMF RESISTOR	6.8kΩ,1/16W	R8076		NRSA6AJ-103W	MG RESISTOR	10kΩ,1/16W
R6144			NRVA6AD-392W	CMF RESISTOR	3.9kΩ,1/16W	R8077		NRSA6AJ-101W	MG RESISTOR	100Ω,1/16W
R6146			NRVA6AD-472W	CMF RESISTOR	4.7kΩ,1/16W	R8101		NRSA6AJ-473W	MG RESISTOR	47kΩ,1/16W
R6147			NRSA6AJ-4R7W	MG RESISTOR	4.7Ω,1/16W	R8102		NRSA6AJ-0R0W	MG RESISTOR	0Ω,1/16W
R6148			NRSA6AJ-4R7W	MG RESISTOR	4.7Ω,1/16W	R8104		NRSA6AJ-473W	MG RESISTOR	47kΩ,1/16W
R6151			NRSA6AJ-4R7W	MG RESISTOR	4.7Ω,1/16W	R8105		NRSA6AJ-473W	MG RESISTOR	47kΩ,1/16W
R6152			NRSA6AJ-4R7W	MG RESISTOR	4.7Ω,1/16W	R8106		NRSA6AJ-221W	MG RESISTOR	220Ω,1/16W
R6155			NRSA6AJ-330W	MG RESISTOR	33Ω,1/16W	R8107		NRSA6AJ-221W	MG RESISTOR	220Ω,1/16W
R6156			NRSA6AJ-4R7W	MG RESISTOR	4.7Ω,1/16W	R8108		NRSA6AJ-473W	MG RESISTOR	47kΩ,1/16W
R6157			NRSA6AJ-330W	MG RESISTOR	33Ω,1/16W	R8109		NRSA6AJ-0R0W	MG RESISTOR	0Ω,1/16W
R6158			NRSA6AJ-330W	MG RESISTOR	33Ω,1/16W	R8110		NRSA6AJ-473W	MG RESISTOR	47kΩ,1/16W
R6159			NRSA6AJ-102W	MG RESISTOR	1kΩ,1/16W	R8111		NRSA6AJ-0R0W	MG RESISTOR	0Ω,1/16W
R6163			NRSA6AJ-0R0W	MG RESISTOR	0Ω,1/16W	R8112		NRSA6AJ-0R0W	MG RESISTOR	0Ω,1/16W
R6171			NRSA6AJ-0R0W	MG RESISTOR	0Ω,1/16W	R8113		NRSA6AJ-0R0W	MG RESISTOR	0Ω,1/16W
R6201			NRSA6AJ-473W	MG RESISTOR	47kΩ,1/16W	R8115		NRSA6AJ-221W	MG RESISTOR	220Ω,1/16W
R6202			NRVA6AD-273W	CMF RESISTOR	27kΩ,1/16W	R8116		NRSA6AJ-473W	MG RESISTOR	47kΩ,1/16W
R6203			NRVA6AD-153W	CMF RESISTOR	15kΩ,1/16W	R8117		NRSA6AJ-473W	MG RESISTOR	47kΩ,1/16W
R6204			NRVA6AD-473W	CMF RESISTOR	47kΩ,1/16W	R8118		NRSA6AJ-221W	MG RESISTOR	220Ω,1/16W
R6205			NRVA6AD-823W	CMF RESISTOR	82kΩ,1/16W	R8119		NRSA6AJ-473W	MG RESISTOR	47kΩ,1/16W
R6206			NRVA6AD-473W	CMF RESISTOR	47kΩ,1/16W	R8120		NRSA6AJ-221W	MG RESISTOR	220Ω,1/16W
R6207			NRSA6AJ-222W	MG RESISTOR	2.2kΩ,1/16W	R8121		NRSA6AJ-0R0W	MG RESISTOR	0Ω,1/16W
R6209			NRVA6AD-563W	CMF RESISTOR	56kΩ,1/16W	R8122		NRSA6AJ-105W	MG RESISTOR	1MΩ,1/16W
R6210			NRVA6AD-683W	CMF RESISTOR	68kΩ,1/16W	R8124		NRSA6AJ-472W	MG RESISTOR	4.7kΩ,1/16W
R6211			NRVA6AD-333W	CMF RESISTOR	33kΩ,1/16W	R8128		NRSA6AJ-472W	MG RESISTOR	4.7kΩ,1/16W
R6212			NRVA6AD-333W	CMF RESISTOR	33kΩ,1/16W	R8129		NRSA6AJ-105W	MG RESISTOR	1MΩ,1/16W
R6213			NRVA6AD-333W	CMF RESISTOR	33kΩ,1/16W	R8130		NRSA6AJ-101W	MG RESISTOR	100Ω,1/16W
R6214			NRSA6AJ-102W	MG RESISTOR	1kΩ,1/16W	R8131		NRSA6AJ-0R0W	MG RESISTOR	0Ω,1/16W
R6215			NRSA6AJ-222W	MG RESISTOR	2.2kΩ,1/16W	R8132		NRSA6AJ-680W	MG RESISTOR	68Ω,1/16W
R6216			NRVA6AD-104W	CMF RESISTOR	100kΩ,1/16W	R8133		NRSA6AJ-0R0W	MG RESISTOR	0Ω,1/16W
R6217			NRVA6AD-823W	CMF RESISTOR	82kΩ,1/16W	R8134		NRSA6AJ-0R0W	MG RESISTOR	0Ω,1/16W
R6301			NRSA63J-0R0X	MG RESISTOR	0Ω,1/16W	R8135		NRSA6AJ-0R0W	MG RESISTOR	0Ω,1/16W
R6601			NRSA6AJ-822W	MG RESISTOR	8.2kΩ,1/16W	RA1001		NRZ0034-102W	NETWORK RESISTOR	1kΩ
R6603			NRVA6AD-683W	CMF RESISTOR	68kΩ,1/16W	RA1002		NRZ0034-102W	NETWORK RESISTOR	1kΩ
R6604			NRVA6AD-104W	CMF RESISTOR	100kΩ,1/16W	RA1003		NRZ0034-104W	NETWORK RESISTOR	100kΩ
R6605			NRSA6AJ-184W	MG RESISTOR	180kΩ,1/16W	RA1004		NRZ0034-104W	NETWORK RESISTOR	100kΩ
R6606			NRSA6AJ-823W	MG RESISTOR	82kΩ,1/16W	RA1005		NRZ0034-102W	NETWORK RESISTOR	1kΩ
R6611			NRSA6AJ-335W	MG RESISTOR	3.3MΩ,1/16W	RA1401		NRZ0034-473W	NETWORK RESISTOR	47kΩ
R6612			NRSA6AJ-474W	MG RESISTOR	470kΩ,1/16W	RA1402		NRZ0034-102W	NETWORK RESISTOR	1kΩ
R6613			NRSA6AJ-473W	MG RESISTOR	47kΩ,1/16W	RA1403		NRZ0034-102W	NETWORK RESISTOR	1kΩ
R6614			NRSA6AJ-473W	MG RESISTOR	47kΩ,1/16W	RA1404		NRZ0034-102W	NETWORK RESISTOR	1kΩ
R6615			NRSA6AJ-684W	MG RESISTOR	680kΩ,1/16W	RA1405		NRZ0034-102W	NETWORK RESISTOR	1kΩ
R6616			NRSA6AJ-333W	MG RESISTOR	33kΩ,1/16W	RA4301		NRZ0034-221W	NETWORK RESISTOR	220Ω
R8001			NRSA6AJ-103W	MG RESISTOR	10kΩ,1/16W	RA4302		NRZ0034-221W	NETWORK RESISTOR	220Ω
R8002			NRSA6AJ-101W	MG RESISTOR	100Ω,1/16W	RA4303		NRZ0034-221W	NETWORK RESISTOR	220Ω
R8003			NRSA6AJ-473W	MG RESISTOR	47kΩ,1/16W	RA4304		NRZ0034-221W	NETWORK RESISTOR	220Ω
R8004			NRSA6AJ-103W	MG RESISTOR	10kΩ,1/16W	RA4307		NRZ0034-221W	NETWORK RESISTOR	220Ω
R8011			NRSA6AJ-473W	MG RESISTOR	47kΩ,1/16W	RA4308		NRZ0034-221W	NETWORK RESISTOR	220Ω
R8012			NRSA6AJ-0R0W	MG RESISTOR	0Ω,1/16W	RA8001		NRZ0034-100W	NETWORK RESISTOR	10Ω
R8015			NRSA6AJ-0R0W	MG RESISTOR	0Ω,1/16W	RA8002		NRZ0034-100W	NETWORK RESISTOR	10Ω
R8016			NRVA6AD-133W	CMF RESISTOR	13kΩ,1/16W	RA8003		NRZ0034-100W	NETWORK RESISTOR	10Ω
R8017			NRSA6AJ-0R0W	MG RESISTOR	0Ω,1/16W	RA8004		NRZ0034-100W	NETWORK RESISTOR	10Ω
R8018			NRSA6AJ-473W	MG RESISTOR	47kΩ,1/16W	C1003		NCBA1AK-104W	CAPACITOR	0.1μF,10V
R8021			NRSA6AJ-103W	MG RESISTOR	10kΩ,1/16W	C1005		NDCA1HJ-330W	CAPACITOR	33pF,50V
R8022			NRSA6AJ-101W	MG RESISTOR	100Ω,1/16W	C1006		NDCA1HJ-150W	CAPACITOR	15pF,50V
R8023			NRSA6AJ-101W	MG RESISTOR	100Ω,1/16W	C1007		NCBA1AK-104W	CAPACITOR	0.1μF,10V
R8049			NRSA6AJ-105W	MG RESISTOR	1MΩ,1/16W	C1008		NCBA1CK-103W	CAPACITOR	0.01μF,16V
R8050			NRSA6AJ-0R0W	MG RESISTOR	0Ω,1/16W	C1009		NCBA1AK-104W	CAPACITOR	0.1μF,10V
R8051			NRSA6AJ-0R0W	MG RESISTOR	0Ω,1/16W	C1010		NCBA1AK-104W	CAPACITOR	0.1μF,10V
R8064			NRSA6AJ-0R0W	MG RESISTOR	0Ω,1/16W	C1011		NCBA1AK-104W	CAPACITOR	0.1μF,10V
R8065			NRSA6AJ-101W	MG RESISTOR	100Ω,1/16W	C1012		NCBA1AK-104W	CAPACITOR	0.1μF,10V
R8069			NRSA6AJ-0R0W	MG RESISTOR	0Ω,1/16W	C1013		NDCA1HJ-130W	CAPACITOR	13pF,50V

#	△ REF No.	PART No.	PART NAME, DESCRIPTION	#	△ REF No.	PART No.	PART NAME, DESCRIPTION	
C1015		NCBA1CK-103W	CAPACITOR	0.01μF,16V	C3012	NCFA1AZ-104W	CAPACITOR	0.1μF,10V
C1017		NCBA1AK-104W	CAPACITOR	0.1μF,10V	C3013	NCFA1AZ-104W	CAPACITOR	0.1μF,10V
C1019		NCBA1AK-104W	CAPACITOR	0.1μF,10V	C3014	NCFA1AZ-104W	CAPACITOR	0.1μF,10V
C1020		NCBA1AK-104W	CAPACITOR	0.1μF,10V	C3015	NCFA1AZ-104W	CAPACITOR	0.1μF,10V
C1022		NBM90JM-226X	T CAPACITOR	22μF,6.3V	C3016	NCFA1AZ-104W	CAPACITOR	0.1μF,10V
C1023		NBM90JM-226X	T CAPACITOR	22μF,6.3V	C3017	NCBA1CK-103W	CAPACITOR	0.01μF,16V
C1101		NCBA1AK-104W	CAPACITOR	0.1μF,10V	C3018	NCBA1AK-104W	CAPACITOR	0.1μF,10V
C1102		NCBA1CK-223W	CAPACITOR	0.022μF,16V	C3019	NCBA1CK-103W	CAPACITOR	0.01μF,16V
C1103		NCBA1CK-223W	CAPACITOR	0.022μF,16V	C3021	NCB21CK-474X	CAPACITOR	0.47μF,16V
C1111		NCB30JK-105X	CAPACITOR	1μF,6.3V	C3032	NCBA1AK-104W	CAPACITOR	0.1μF,10V
C1112		NBE90JM-106X	T CAPACITOR	10μF,6.3V	C3041	NCBA1CK-103W	CAPACITOR	0.01μF,16V
C1113		NBE90JM-106X	T CAPACITOR	10μF,6.3V	C3042	NCFA1AZ-104W	CAPACITOR	0.1μF,10V
C1401		NBE90JM-106X	T CAPACITOR	10μF,6.3V	C3046	NCBA1CK-103W	CAPACITOR	0.01μF,16V
C1402		NBE90JM-106X	T CAPACITOR	10μF,6.3V	C3047	NCBA1AK-104W	CAPACITOR	0.1μF,10V
C1403		NCBA1CK-103W	CAPACITOR	0.01μF,16V	C3101	NCBA1AK-104W	CAPACITOR	0.1μF,10V
C1405		NCFA1AZ-104W	CAPACITOR	0.1μF,10V	C3104	NDCA1EJ-271W	CAPACITOR	270pF,25V
C1406		NCFA1AZ-104W	CAPACITOR	0.1μF,10V	C3105	NCB30JK-105X	CAPACITOR	1μF,6.3V
C1408		NCFA1AZ-104W	CAPACITOR	0.1μF,10V	C3106	NCB30JK-105X	CAPACITOR	1μF,6.3V
C1409		NCFA1AZ-104W	CAPACITOR	0.1μF,10V	C3107	NCB30JK-105X	CAPACITOR	1μF,6.3V
C1410		NCFA1AZ-104W	CAPACITOR	0.1μF,10V	C3108	NCBA1AK-104W	CAPACITOR	0.1μF,10V
C1411		NCFA1AZ-104W	CAPACITOR	0.1μF,10V	C3109	NCBA1AK-104W	CAPACITOR	0.1μF,10V
C1412		NCFA1AZ-104W	CAPACITOR	0.1μF,10V	C3110	NCBA1CK-103W	CAPACITOR	0.01μF,16V
C1413		NCFA1AZ-104W	CAPACITOR	0.1μF,10V	C3111	NBE90JM-106X	T CAPACITOR	10μF,6.3V
C1414		NCBA1CK-103W	CAPACITOR	0.01μF,16V	C3112	NBE90JM-106X	T CAPACITOR	10μF,6.3V
C1415		NCBA1CK-103W	CAPACITOR	0.01μF,16V	C3201	NBE90JM-106X	T CAPACITOR	10μF,6.3V
C1416		NCBA1CK-103W	CAPACITOR	0.01μF,16V	C3202	NCB30JK-105X	CAPACITOR	1μF,6.3V
C1420		NCBA1CK-103W	CAPACITOR	0.01μF,16V	C3203	NBZ0001-106X	T CAPACITOR	10μF
C1421		NCBA1CK-103W	CAPACITOR	0.01μF,16V	C3205	NCFA1AZ-104W	CAPACITOR	0.1μF,10V
C1422		NCBA1CK-103W	CAPACITOR	0.01μF,16V	C3206	NCFA1AZ-104W	CAPACITOR	0.1μF,10V
C1423		NCBA1CK-103W	CAPACITOR	0.01μF,16V	C3207	NCFA1AZ-104W	CAPACITOR	0.1μF,10V
C1424		NCBA1CK-103W	CAPACITOR	0.01μF,16V	C3208	NCFA1AZ-104W	CAPACITOR	0.1μF,10V
C1425		NCBA1CK-103W	CAPACITOR	0.01μF,16V	C3209	NCBA1AK-104W	CAPACITOR	0.1μF,10V
C1426		NCBA1CK-103W	CAPACITOR	0.01μF,16V	C3210	NCFA1AZ-104W	CAPACITOR	0.1μF,10V
C1427		NCBA1CK-223W	CAPACITOR	0.022μF,16V	C3211	NCFA1AZ-104W	CAPACITOR	0.1μF,10V
C1428		NCBA1CK-223W	CAPACITOR	0.022μF,16V	C3212	NCFA1AZ-104W	CAPACITOR	0.1μF,10V
C1429		NCBA1CK-223W	CAPACITOR	0.022μF,16V	C3213	NCBA1CK-103W	CAPACITOR	0.01μF,16V
C1430		NCBA1CK-223W	CAPACITOR	0.022μF,16V	C3214	NCBA1AK-104W	CAPACITOR	0.1μF,10V
C1431		NCB30JK-105X	CAPACITOR	1μF,6.3V	C3215	NCFA1AZ-104W	CAPACITOR	0.1μF,10V
C1440		NCBA1CK-103W	CAPACITOR	0.01μF,16V	C3216	NCFA1AZ-104W	CAPACITOR	0.1μF,10V
C1441		NCBA1CK-103W	CAPACITOR	0.01μF,16V	C3217	NCFA1AZ-104W	CAPACITOR	0.1μF,10V
C2704		NCB31CK-473X	CAPACITOR	0.047μF,16V	C3218	NCBA1AK-104W	CAPACITOR	0.1μF,10V
C2705		NCBA1AK-104W	CAPACITOR	0.1μF,10V	C3221	NCBA1CK-103W	CAPACITOR	0.01μF,16V
C2751		NBE20JM-106X	T CAPACITOR	10μF,6.3V	C3222	NCFA1AZ-104W	CAPACITOR	0.1μF,10V
C2752		PECA1172	E CAPACITOR	47μF,6.3V	C3301	NCB30JK-105X	CAPACITOR	1μF,6.3V
C2753		NCB30JK-105X	CAPACITOR	1μF,6.3V	C3302	NBE90JM-106X	T CAPACITOR	10μF,6.3V
C2754		NCB30JK-105X	CAPACITOR	1μF,6.3V	C3303	NBE90JM-106X	T CAPACITOR	10μF,6.3V
C2756		NCB31HK-822X	CAPACITOR	0.0082μF,50V	C3304	NCB30JK-105X	CAPACITOR	1μF,6.3V
C2757		NCB31HK-822X	CAPACITOR	0.0082μF,50V	C3305	NCBA1CK-103W	CAPACITOR	0.01μF,16V
C2758		NBE81AM-106X	T CAPACITOR	10μF,10V	C3306	NCBA1CK-103W	CAPACITOR	0.01μF,16V
C2762		NCF31AZ-105X	CAPACITOR	1μF,10V	C3308	NCBA1CK-103W	CAPACITOR	0.01μF,16V
C2763		NBE40JM-476X	T CAPACITOR	47μF,6.3V	C3309	NCBA1HK-102W	CAPACITOR	0.001μF,50V
C2764		NCBA1AK-104W	CAPACITOR	0.1μF,10V	C3310	NDCA1HJ-151W	CAPACITOR	150pF,50V
C2765		NDCA1HJ-101W	CAPACITOR	100pF,50V	C3311	NCBA1CK-103W	CAPACITOR	0.01μF,16V
C3001		NBE90GM-226X	T CAPACITOR	22μF,4.0V	C3312	NCBA1CK-103W	CAPACITOR	0.01μF,16V
C3003		NCB30JK-105X	CAPACITOR	1μF,6.3V	C3313	NCBA1AK-104W	CAPACITOR	0.1μF,10V
C3004		NBE90JM-106X	T CAPACITOR	10μF,6.3V	C3314	NCBA1CK-103W	CAPACITOR	0.01μF,16V
C3005		NDCA1HJ-8R0W	CAPACITOR	8pF,50V	C3315	NCBA1CK-103W	CAPACITOR	0.01μF,16V
C3006		NDCA1HJ-8R0W	CAPACITOR	8pF,50V	C3316	NCB20JK-225X	CAPACITOR	2.2μF,6.3V
C3007		NCFA1AZ-104W	CAPACITOR	0.1μF,10V	C3317	NCBA1AK-104W	CAPACITOR	0.1μF,10V
C3010		NCFA1AZ-104W	CAPACITOR	0.1μF,10V	C3318	NCBA1AK-683W	CAPACITOR	0.068μF,10V
C3011		NCFA1AZ-104W	CAPACITOR	0.1μF,10V	C3319	NCB20JK-225X	CAPACITOR	2.2μF,6.3V

#	△ REF No.	PART No.	PART NAME, DESCRIPTION	#	△ REF No.	PART No.	PART NAME, DESCRIPTION	
C3320		NCBA1AK-333W	CAPACITOR	0.033μF,10V	C3731	NDCA1HJ-120W	CAPACITOR	12pF,50V
C3321		NCBA1CK-103W	CAPACITOR	0.01μF,16V	C3732	NDCA1HJ-150W	CAPACITOR	15pF,50V
C3322		NCBA1AK-104W	CAPACITOR	0.1μF,10V	C3733	NDCA1HJ-470W	CAPACITOR	47pF,50V
C3324		NCBA1CK-103W	CAPACITOR	0.01μF,16V	C3734	NDCA1HJ-390W	CAPACITOR	39pF,50V
C3325		NCBA1CK-103W	CAPACITOR	0.01μF,16V	C3735	NCBA1CK-103W	CAPACITOR	0.01μF,16V
C3326		NCBA1AK-104W	CAPACITOR	0.1μF,10V	C3736	NCB31CK-104X	CAPACITOR	0.1μF,16V
C3327		NCBA1AK-104W	CAPACITOR	0.1μF,10V	C4101	NCF31EZ-104X	CAPACITOR	0.1μF,25V
C3328		NCBA1AK-104W	CAPACITOR	0.1μF,10V	C4102	NBP41EM-475X	T CAPACITOR	4.7μF,25V
C3329		NCBA1CK-103W	CAPACITOR	0.01μF,16V	C4103	NCF31EZ-104X	CAPACITOR	0.1μF,25V
C3330		NDCA1HJ-100W	CAPACITOR	10pF,50V	C4104	NCBA1AK-104W	CAPACITOR	0.1μF,10V
C3331		NCBA1AK-104W	CAPACITOR	0.1μF,10V	C4105	NBE41AM-476X	T CAPACITOR	47μF,10V
C3332		NCBA1CK-103W	CAPACITOR	0.01μF,16V	C4106	NCBA1AK-104W	CAPACITOR	0.1μF,10V
C3501		NCBA1CK-103W	CAPACITOR	0.01μF,16V	C4107	NCBA1AK-104W	CAPACITOR	0.1μF,10V
C3502		NCB30JK-105X	CAPACITOR	1μF,6.3V	C4109	NCF31EZ-104X	CAPACITOR	0.1μF,25V
C3503		NCBA1CK-103W	CAPACITOR	0.01μF,16V	C4111	NBP21VM-105X	T CAPACITOR	1μF,35V
C3504		NCBA1CK-103W	CAPACITOR	0.01μF,16V	C4201	NBE40JM-476X	T CAPACITOR	47μF,6.3V
C3505		NCBA1CK-103W	CAPACITOR	0.01μF,16V	C4202	NBE20GM-476X	T CAPACITOR	47μF,4.0V
C3506		NCBA1HK-152W	CAPACITOR	0.0015μF,50V	C4203	NCBA1CK-103W	CAPACITOR	0.01μF,16V
C3507		NBE90JM-106X	T CAPACITOR	10μF,6.3V	C4204	NCBA1AK-104W	CAPACITOR	0.1μF,10V
C3508		NDCA1HJ-330W	CAPACITOR	33pF,50V	C4205	NBE20GM-476X	T CAPACITOR	47μF,4.0V
C3509		NCBA1CK-103W	CAPACITOR	0.01μF,16V	C4207	NBE90JM-106X	T CAPACITOR	10μF,6.3V
C3510		NCBA1CK-103W	CAPACITOR	0.01μF,16V	C4208	NBE41AM-476X	T CAPACITOR	47μF,10V
C3511		NDCA1HJ-220W	CAPACITOR	22pF,50V	C4209	NBE41AM-476X	T CAPACITOR	47μF,10V
C3512		NBE90JM-106X	T CAPACITOR	10μF,6.3V	C4210	NCBA1AK-104W	CAPACITOR	0.1μF,10V
C3513		NCBA1CK-103W	CAPACITOR	0.01μF,16V	C4211	NCF31EZ-104X	CAPACITOR	0.1μF,25V
C3514		NBE90JM-106X	T CAPACITOR	10μF,6.3V	C4212	NBP41DM-106X	T CAPACITOR	10μF,20V
C3515		NDCA1HJ-220W	CAPACITOR	22pF,50V	C4215	NCBA1AK-104W	CAPACITOR	0.1μF,10V
C3516		NCBA1CK-103W	CAPACITOR	0.01μF,16V	C4216	NCBA1AK-104W	CAPACITOR	0.1μF,10V
C3517		NCBA1CK-103W	CAPACITOR	0.01μF,16V	C4217	NCBA1CK-123W	CAPACITOR	0.012μF,16V
C3518		NDCA1HJ-330W	CAPACITOR	33pF,50V	C4218	NCBA1AK-104W	CAPACITOR	0.1μF,10V
C3519		NBE90JM-106X	T CAPACITOR	10μF,6.3V	C4219	NCB30JK-474X	CAPACITOR	0.47μF,6.3V
C3520		NCBA1HK-152W	CAPACITOR	0.0015μF,50V	C4220	NCB30JK-105X	CAPACITOR	1μF,6.3V
C3521		NCBA1HK-122W	CAPACITOR	0.0012μF,50V	C4221	NCB30JK-105X	CAPACITOR	1μF,6.3V
C3522		NCBA1CK-103W	CAPACITOR	0.01μF,16V	C4222	NCB30JK-105X	CAPACITOR	1μF,6.3V
C3523		NCBA1CK-103W	CAPACITOR	0.01μF,16V	C4223	NCBA1AK-104W	CAPACITOR	0.1μF,10V
C3524		NDCA1HJ-470W	CAPACITOR	47pF,50V	C4224	NCB30JK-105X	CAPACITOR	1μF,6.3V
C3525		NCBA1HK-681W	CAPACITOR	680pF,50V	C4225	NCB30JK-105X	CAPACITOR	1μF,6.3V
C3526		NBE90JM-106X	T CAPACITOR	10μF,6.3V	C4226	NCBA1AK-104W	CAPACITOR	0.1μF,10V
C3527		NBE90JM-106X	T CAPACITOR	10μF,6.3V	C4227	NCBA1AK-104W	CAPACITOR	0.1μF,10V
C3528		NBE90JM-106X	T CAPACITOR	10μF,6.3V	C4228	NCBA1CK-103W	CAPACITOR	0.01μF,16V
C3529		NCBA1AK-104W	CAPACITOR	0.1μF,10V	C4229	NCBA1CK-103W	CAPACITOR	0.01μF,16V
C3551		NBE40JM-476X	T CAPACITOR	47μF,6.3V	C4230	NCBA1CK-103W	CAPACITOR	0.01μF,16V
C3552		NCBA1CK-103W	CAPACITOR	0.01μF,16V	C4231	NCBA1CK-103W	CAPACITOR	0.01μF,16V
C3702		NCBA1CK-103W	CAPACITOR	0.01μF,16V	C4233	NCBA1CK-103W	CAPACITOR	0.01μF,16V
C3703		NCBA1CK-103W	CAPACITOR	0.01μF,16V	C4301	NCB30JK-105X	CAPACITOR	1μF,6.3V
C3704		NBE90JM-106X	T CAPACITOR	10μF,6.3V	C4302	NBE90JM-106X	T CAPACITOR	10μF,6.3V
C3705		NBE40GM-107X	T CAPACITOR	100μF,4.0V	C4303	NCBA1AK-104W	CAPACITOR	0.1μF,10V
C3706		NBE90GM-226X	T CAPACITOR	22μF,4.0V	C4304	NBE90JM-106X	T CAPACITOR	10μF,6.3V
C3707		NBZ0002-227X	T CAPACITOR	220μF	C4305	NBE90JM-106X	T CAPACITOR	10μF,6.3V
C3708		NBZ0002-227X	T CAPACITOR	220μF	C4306	NCB30JK-105X	CAPACITOR	1μF,6.3V
C3709		NCBA1CK-103W	CAPACITOR	0.01μF,16V	C4307	NBE90JM-106X	T CAPACITOR	10μF,6.3V
C3710		NCBA1AK-104W	CAPACITOR	0.1μF,10V	C4308	NCBA1AK-104W	CAPACITOR	0.1μF,10V
C3711		NCBA1AK-104W	CAPACITOR	0.1μF,10V	C4309	NCBA1AK-104W	CAPACITOR	0.1μF,10V
C3712		NRSA6AJ-0R0W	MG RESISTOR	0Ω,1/16W	C4310	NBG40GM-226X	T CAPACITOR	22μF,4.0V
C3713		NCBA1CK-103W	CAPACITOR	0.01μF,16V	C4312	NCBA1AK-104W	CAPACITOR	0.1μF,10V
C3714		NCBA1CK-103W	CAPACITOR	0.01μF,16V	C4313	NCBA1AK-104W	CAPACITOR	0.1μF,10V
C3715		NBE90JM-106X	T CAPACITOR	10μF,6.3V	C4315	NCBA1AK-104W	CAPACITOR	0.1μF,10V
C3721		NBE20JM-226X	T CAPACITOR	22μF,6.3V	C4316	NCBA1AK-104W	CAPACITOR	0.1μF,10V
C3722		NCB30JK-105X	CAPACITOR	1μF,6.3V	C4317	NCBA1AK-104W	CAPACITOR	0.1μF,10V
C3723		NBE90JM-106X	T CAPACITOR	10μF,6.3V	C4318	NCBA1AK-104W	CAPACITOR	0.1μF,10V
C3724		NCBA1CK-103W	CAPACITOR	0.01μF,16V	C4319	NCBA1AK-104W	CAPACITOR	0.1μF,10V

#	△ REF No.	PART No.	PART NAME, DESCRIPTION	#	△ REF No.	PART No.	PART NAME, DESCRIPTION	
C4320		NCBA1AK-104W	CAPACITOR	0.1μF,10V	C6117	NCBA1AK-104W	CAPACITOR	0.1μF,10V
C4321		NCBA1AK-104W	CAPACITOR	0.1μF,10V	C6118	NBP41CM-106X	T CAPACITOR	10μF,16V
C4323		NCBA1AK-104W	CAPACITOR	0.1μF,10V	C6119	NCB31EK-103X	CAPACITOR	0.01μF,25V
C4324		NCBA1HK-331W	CAPACITOR	330pF,50V	C6120	NCBA1AK-104W	CAPACITOR	0.1μF,10V
C4351		NCBA1AK-104W	CAPACITOR	0.1μF,10V	C6122	NCBA1AK-104W	CAPACITOR	0.1μF,10V
C4352		NCBA1AK-104W	CAPACITOR	0.1μF,10V	C6124	NCBA1AK-104W	CAPACITOR	0.1μF,10V
C4353		NCB30JK-105X	CAPACITOR	1μF,6.3V	C6126	NCBA1AK-104W	CAPACITOR	0.1μF,10V
C4355		NCB30JK-105X	CAPACITOR	1μF,6.3V	C6128	NCB21AK-105X	CAPACITOR	1μF,10V
C4357		NCB30JK-105X	CAPACITOR	1μF,6.3V	C6129	NCB21AK-105X	CAPACITOR	1μF,10V
C4359		NCB30JK-105X	CAPACITOR	1μF,6.3V	C6130	NCB21AK-105X	CAPACITOR	1μF,10V
C4361		NCBA1AK-104W	CAPACITOR	0.1μF,10V	C6131	NCB21AK-105X	CAPACITOR	1μF,10V
C4362		NCBA1AK-104W	CAPACITOR	0.1μF,10V	C6132	NBG41AM-106X	T CAPACITOR	10μF,10V
C4363		NCBA1AK-104W	CAPACITOR	0.1μF,10V	C6133	NCB21AK-105X	CAPACITOR	1μF,10V
C4364		NCBA1AK-104W	CAPACITOR	0.1μF,10V	C6134	NCB11AK-225X-A	CAPACITOR	2.2μF,10V
C4365		NBE90JM-106X	T CAPACITOR	10μF,6.3V	C6135	NCB21AK-105X	CAPACITOR	1μF,10V
C4401		NBE90GM-226X	T CAPACITOR	22μF,4.0V	C6136	NCB11AK-475X	CAPACITOR	4.7μF,10V
C4402		NCBA1CK-103W	CAPACITOR	0.01μF,16V	C6138	NCB21AK-105X	CAPACITOR	1μF,10V
C5001		NCBA1AK-104W	CAPACITOR	0.1μF,10V	C6145	NCB21AK-105X	CAPACITOR	1μF,10V
C5002		NCBA1AK-104W	CAPACITOR	0.1μF,10V	C6146	NBG41AM-106X	T CAPACITOR	10μF,10V
C5003		NBE40JM-476X	T CAPACITOR	47μF,6.3V	C6147	NBG41AM-106X	T CAPACITOR	10μF,10V
C5004		NCBA1AK-104W	CAPACITOR	0.1μF,10V	C6148	NCB11AK-475X	CAPACITOR	4.7μF,10V
C5005		NCBA1AK-104W	CAPACITOR	0.1μF,10V	C6150	NCB21AK-105X	CAPACITOR	1μF,10V
C5006		NCBA1AK-104W	CAPACITOR	0.1μF,10V	C6151	NCB10JK-106X	CAPACITOR	10μF,6.3V
C5007		NCB30JK-105X	CAPACITOR	1μF,6.3V	C6153	NCB21AK-105X	CAPACITOR	1μF,10V
C5008		NBE90JM-106X	T CAPACITOR	10μF,6.3V	C6154	NCB10JK-106X	CAPACITOR	10μF,6.3V
C5009		NCBA1AK-104W	CAPACITOR	0.1μF,10V	C6156	NCB21AK-105X	CAPACITOR	1μF,10V
C5011		NCBA1AK-104W	CAPACITOR	0.1μF,10V	C6157	NCB11AK-475X	CAPACITOR	4.7μF,10V
C5012		NCBA1AK-104W	CAPACITOR	0.1μF,10V	C6158	NCB20JK-225X	CAPACITOR	2.2μF,6.3V
C5013		NCBA1AK-104W	CAPACITOR	0.1μF,10V	C6159	NCB20JK-225X	CAPACITOR	2.2μF,6.3V
C5014		NBE90JM-106X	T CAPACITOR	10μF,6.3V	C6163	NCB21AK-105X	CAPACITOR	1μF,10V
C5017		NCBA1AK-104W	CAPACITOR	0.1μF,10V	C6201	NCB21CK-105X	CAPACITOR	1μF,16V
C5018		NCB30JK-105X	CAPACITOR	1μF,6.3V	C6202	NCB11EK-105X	CAPACITOR	1μF,25V
C5019		NCB30JK-105X	CAPACITOR	1μF,6.3V	C6203	NCBA1CK-103W	CAPACITOR	0.01μF,16V
C5214		NBE41AM-476X	T CAPACITOR	47μF,10V	C6204	NCB21CK-105X	CAPACITOR	1μF,16V
C5215		NBE41AM-476X	T CAPACITOR	47μF,10V	C6205	NCB21CK-105X	CAPACITOR	1μF,16V
C5216		NBE41AM-476X	T CAPACITOR	47μF,10V	C6206	NCB11CK-105X	CAPACITOR	1μF,16V
C5217		NCF31EZ-104X	CAPACITOR	0.1μF,25V	C6207	NCB11EK-105X	CAPACITOR	1μF,25V
C5218		NCBA1AK-104W	CAPACITOR	0.1μF,10V	C6208	NCB21CK-105X	CAPACITOR	1μF,16V
C5219		NCBA1AK-104W	CAPACITOR	0.1μF,10V	C6209	NCB21CK-105X	CAPACITOR	1μF,16V
C5220		NCBA1AK-104W	CAPACITOR	0.1μF,10V	C6210	NCB21CK-105X	CAPACITOR	1μF,16V
C5221		NBE20JM-106X	T CAPACITOR	10μF,6.3V	C6401	NCBA1CK-103W	CAPACITOR	0.01μF,16V
C6001		NCBA1AK-104W	CAPACITOR	0.1μF,10V	C6402	NBE91CM-105X	T CAPACITOR	1μF,16V
C6002		NCBA1CK-103W	CAPACITOR	0.01μF,16V	C6601	NCBA1CK-103W	CAPACITOR	0.01μF,16V
C6003		NCBA1AK-104W	CAPACITOR	0.1μF,10V	C6602	NBE90JM-106X	T CAPACITOR	10μF,6.3V
C6004		NBE90JM-106X	T CAPACITOR	10μF,6.3V	C6603	NCBA1HK-102W	CAPACITOR	0.001μF,50V
C6005		NBP21CM-685X	T CAPACITOR	6.8μF,16V	C6604	NCBA1AK-473W	CAPACITOR	0.047μF,10V
C6006		NCF31AZ-105X	CAPACITOR	1μF,10V	C6611	NCBA1CK-153W	CAPACITOR	0.015μF,16V
C6007		NBE90JM-106X	T CAPACITOR	10μF,6.3V	C6612	NDCA1EJ-221W	CAPACITOR	220pF,25V
C6008		NCBA1AK-104W	CAPACITOR	0.1μF,10V	C6613	NDCA1EJ-121W	CAPACITOR	120pF,25V
C6009		NCBA1CK-103W	CAPACITOR	0.01μF,16V	C8001	NBE90JM-106X	T CAPACITOR	10μF,6.3V
C6101		NCB31AK-474X	CAPACITOR	0.47μF,10V	C8002	NCBA1CK-103W	CAPACITOR	0.01μF,16V
C6102		NCB31AK-224X	CAPACITOR	0.22μF,10V	C8003	NCBA1CK-103W	CAPACITOR	0.01μF,16V
C6103		NCB31CK-104X	CAPACITOR	0.1μF,16V	C8004	NCBA1CK-103W	CAPACITOR	0.01μF,16V
C6104		NCBA1AK-104W	CAPACITOR	0.1μF,10V	C8006	NCBA1AK-104W	CAPACITOR	0.1μF,10V
C6106		NCBA1AK-104W	CAPACITOR	0.1μF,10V	C8007	NBE90JM-106X	T CAPACITOR	10μF,6.3V
C6108		NCBA1AK-104W	CAPACITOR	0.1μF,10V	C8008	NCB30JK-105X	CAPACITOR	1μF,6.3V
C6110		NCBA1AK-104W	CAPACITOR	0.1μF,10V	C8009	NCBA1AK-104W	CAPACITOR	0.1μF,10V
C6112		NCB31AK-224X	CAPACITOR	0.22μF,10V	C8010	NBE90JM-106X	T CAPACITOR	10μF,6.3V
C6114		NDCA1HJ-100W	CAPACITOR	10pF,50V	C8011	NCB30JK-105X	CAPACITOR	1μF,6.3V
C6115		NDCA1HJ-121W	CAPACITOR	120pF,50V	C8017	NCBA1AK-104W	CAPACITOR	0.1μF,10V
C6116		NCBA1AK-104W	CAPACITOR	0.1μF,10V	C8020	NBE90JM-106X	T CAPACITOR	10μF,6.3V

#	△ REF No.	PART No.	PART NAME, DESCRIPTION	#	△ REF No.	PART No.	PART NAME, DESCRIPTION		
C8021		NCBA1CK-103W	CAPACITOR	0.01	μF,16V	L1402	NRSA02J-0R0X	MG RESISTOR	0Ω,1/10W
C8022		NCBA1CK-103W	CAPACITOR	0.01	μF,16V	L2701	NRSA63J-0R0X	MG RESISTOR	0Ω,1/16W
C8023		NCBA1CK-103W	CAPACITOR	0.01	μF,16V	L2702	NRSA63J-0R0X	MG RESISTOR	0Ω,1/16W
C8024		NCBA1CK-103W	CAPACITOR	0.01	μF,16V	L3001	NQR0305-001X	FERRITE BEAD	
C8025		NCBA1CK-103W	CAPACITOR	0.01	μF,16V	L3002	NQR0006-001X	FERRITE BEAD	
C8026		NCBA1CK-103W	CAPACITOR	0.01	μF,16V	L3003	NQR0305-001X	FERRITE BEAD	
C8027		NCBA1CK-103W	CAPACITOR	0.01	μF,16V	L3005	NQR0305-001X	FERRITE BEAD	
C8028		NCBA1CK-103W	CAPACITOR	0.01	μF,16V	L3101	NQR0305-001X	FERRITE BEAD	
C8029		NCBA1CK-103W	CAPACITOR	0.01	μF,16V	L3102	NQR0006-001X	FERRITE BEAD	
C8030		NCBA1CK-103W	CAPACITOR	0.01	μF,16V	L3103	NQR0384-003X	COIL	
C8031		NCBA1CK-103W	CAPACITOR	0.01	μF,16V	L3104	NQR0384-003X	COIL	
C8032		NCBA1CK-103W	CAPACITOR	0.01	μF,16V	L3201	NQR0006-001X	FERRITE BEAD	
C8033		NCBA1CK-103W	CAPACITOR	0.01	μF,16V	L3202	NQR0305-001X	FERRITE BEAD	
C8034		NCBA1CK-103W	CAPACITOR	0.01	μF,16V	L3301	NQR0006-001X	FERRITE BEAD	
C8035		NCBA1CK-103W	CAPACITOR	0.01	μF,16V	L3302	NQL04DK-100X	COIL	10μH
C8036		NCBA1CK-103W	CAPACITOR	0.01	μF,16V	L3303	NQL04DK-100X	COIL	10μH
C8037		NCBA1CK-103W	CAPACITOR	0.01	μF,16V	L3304	NQR0006-001X	FERRITE BEAD	
C8038		NCBA1CK-103W	CAPACITOR	0.01	μF,16V	L3501	NQL04DK-220X	COIL	22μH
C8039		NCBA1CK-103W	CAPACITOR	0.01	μF,16V	L3502	NQL04DK-220X	COIL	22μH
C8040		NCBA1CK-103W	CAPACITOR	0.01	μF,16V	L3503	NQL302N-100X	COIL	10μH
C8041		NCBA1CK-103W	CAPACITOR	0.01	μF,16V	L3504	NQL302N-100X	COIL	10μH
C8042		NCBA1CK-103W	CAPACITOR	0.01	μF,16V	L3551	NQR0006-001X	FERRITE BEAD	
C8043		NCBA1CK-103W	CAPACITOR	0.01	μF,16V	L3701	NQL302N-100X	COIL	10μH
C8044		NBE20GM-476X	T CAPACITOR	47	μF,4.0V	L3731	NQL085J-120X	COIL	12μH
C8045		NBE20JM-226X	T CAPACITOR	22	μF,6.3V	L3732	NQL085J-270X	COIL	27μH
C8046		NBE90JM-106X	T CAPACITOR	10	μF,6.3V	L4101	NQR0129-002X	FERRITE BEAD	
C8048		NBE20GM-476X	T CAPACITOR	47	μF,4.0V	L4102	NQL045K-100X	COIL	10μH
C8049		NCBA1CK-103W	CAPACITOR	0.01	μF,16V	L4103	NQR0129-002X	FERRITE BEAD	
C8050		NCBA1CK-103W	CAPACITOR	0.01	μF,16V	L4104	NQL045K-100X	COIL	10μH
C8051		NBE20GM-476X	T CAPACITOR	47	μF,4.0V	L4201	NQR0265-001X	FERRITE BEAD	
C8052		NCBA1CK-103W	CAPACITOR	0.01	μF,16V	L4202	NQL402M-100X	COIL	10μH
C8054		NCB31HK-392X	CAPACITOR	0.0039	μF,50V	L4203	NQR0265-001X	FERRITE BEAD	
C8056		NCBA1CK-103W	CAPACITOR	0.01	μF,16V	L4204	NQL402M-100X	COIL	10μH
C8057		NCBA1CK-103W	CAPACITOR	0.01	μF,16V	L4205	NQL402M-100X	COIL	10μH
C8058		NCBA1AK-104W	CAPACITOR	0.1	μF,10V	L4301	NQR0265-001X	FERRITE BEAD	
C8059		NCBA1CK-103W	CAPACITOR	0.01	μF,16V	L4302	NQR0265-001X	FERRITE BEAD	
C8060		NCBA1CK-103W	CAPACITOR	0.01	μF,16V	L4303	NQR0265-001X	FERRITE BEAD	
C8101		NBE90JM-106X	T CAPACITOR	10	μF,6.3V	L4304	NQL045K-100X	COIL	10μH
C8102		NBE90JM-106X	T CAPACITOR	10	μF,6.3V	L4305	NQR0265-001X	FERRITE BEAD	
C8103		NCBA1CK-103W	CAPACITOR	0.01	μF,16V	L4306	NQR0129-002X	FERRITE BEAD	
C8104		NCBA1CK-103W	CAPACITOR	0.01	μF,16V	L4351	NQL402M-100X	COIL	10μH
C8105		NCBA1CK-103W	CAPACITOR	0.01	μF,16V	L4401	NQR0006-001X	FERRITE BEAD	
C8106		NCBA1CK-103W	CAPACITOR	0.01	μF,16V	L5001	NQR0129-002X	FERRITE BEAD	
C8107		NCBA1CK-103W	CAPACITOR	0.01	μF,16V	L5002	NQL045K-100X	COIL	10μH
C8108		NCBA1CK-103W	CAPACITOR	0.01	μF,16V	L5003	NQR0129-002X	FERRITE BEAD	
C8109		NCBA1CK-103W	CAPACITOR	0.01	μF,16V	L5004	NQR0129-002X	FERRITE BEAD	
C8110		NCBA1CK-103W	CAPACITOR	0.01	μF,16V	L5005	NQR0129-002X	FERRITE BEAD	
C8111		NCBA1CK-103W	CAPACITOR	0.01	μF,16V	L5201	NQR0129-002X	FERRITE BEAD	
C8112		NCBA1CK-103W	CAPACITOR	0.01	μF,16V	L5202	NQR0129-002X	FERRITE BEAD	
C8113		NCBA1CK-103W	CAPACITOR	0.01	μF,16V	L5203	NQL045K-100X	COIL	10μH
C8114		NCBA1CK-103W	CAPACITOR	0.01	μF,16V	L5204	NQL045K-100X	COIL	10μH
C8115		NCBA1CK-103W	CAPACITOR	0.01	μF,16V	L5205	NQL045K-100X	COIL	10μH
C8116		NCBA1CK-103W	CAPACITOR	0.01	μF,16V	L5206	NQR0129-002X	FERRITE BEAD	
C8117		NDCA1HJ-5R0W	CAPACITOR	5	pF,50V	L6001	NQL402M-100X	COIL	10μH
C8118		NDCA1HJ-5R0W	CAPACITOR	5	pF,50V	L6101	NQLZ011-4R7X	COIL	4.7μH
C8119		NCBA1CK-103W	CAPACITOR	0.01	μF,16V	L6102	NQLZ011-4R7X	COIL	4.7μH
L1001		NQR0265-001X	FERRITE BEAD			L6103	NQLZ011-4R7X	COIL	4.7μH
L1002		NQR0265-001X	FERRITE BEAD			L6104	NQL32CM-220X	COIL	22μH
L1003		NQL085J-390X	COIL	39	μH	L6105	NQL32CM-220X	COIL	22μH
L1101		NQL402M-100X	COIL	10	μH	L6106	NQL32CM-100X	COIL	10μH
L1401		NQL302N-100X	COIL	10	μH	L6110	NQLZ011-390X	COIL	39μH

#	△ REF No.	PART No.	PART NAME, DESCRIPTION	
L6112		NQL32CM-220X	COIL	22μH
L6114		NQL32CM-220X	COIL	22μH
L6116		NQL32CM-100X	COIL	10μH
L6117		NQL35BK-100X	COIL	10μH
L6118		NQL35BK-100X	COIL	10μH
L6201		NQLZ011-221X	COIL	220μH
L6601		NQL402M-100X	COIL	10μH
L8001		NQR0129-002X	FERRITE BEAD	
L8002		NQR0129-002X	FERRITE BEAD	
L8003		NQR0129-002X	FERRITE BEAD	
L8005		NQR0129-002X	FERRITE BEAD	
L8006		NQR0129-002X	FERRITE BEAD	
L8007		NQR0129-002X	FERRITE BEAD	
L8008		NQR0129-002X	FERRITE BEAD	
L8010		NQR0129-002X	FERRITE BEAD	
L8011		NQR0129-002X	FERRITE BEAD	
L8101		NQR0006-001X	FERRITE BEAD	
L8102		NQR0006-001X	FERRITE BEAD	
X1001		NAX0279-001X	C OSCILLATOR	
X1002		NAX0267-001X	CRYSTAL RESONATOR	
X3001		NAX0206-001X	CRYSTAL RESONATOR	
X3301		NAX0296-001X	C OSCILLATOR	
X4301		NAX0332-001X	CXO	
X8002		NAX0354-001X	RESONATOR	
X8101		NAX0402-001X	CRYSTAL RESONATOR	
S1001		NSW0132-001X	DETECT SWITCH	
S1401		NSW0128-001X	LEVER SWITCH	
TB1		LY31799-001A	BATT.TERMINAL	
WR1		QAL0246-001	FPC	
WR2		QAL0239-001	FPC	
WR3		WJR0016-001A	E-SH C WIRE C-F	
J101		NNZ0028-001	D CONNECTOR	
CN1001		QGF0513F1-08X	FPC CONNECTOR	
CN1002		QGB0401M1-80X	CONNECTOR	
CN1003		QGF0513F2-20X	FPC CONNECTOR	
CN1004		QGA1001F1-03X	CONNECTOR	
CN1005		QGF0513F2-06X	FPC CONNECTOR	
CN1007		QGF0301F1-45X	FPC CONNECTOR	
CN1008		QGF0507F1-16X	FPC CONNECTOR	
CN1009		QGA1001F1-02X	CONNECTOR	
CN1010		QGB0506L1-20X	CONNECTOR	
CN1011		QGF0513F1-12X	FPC CONNECTOR	
CN1014		QGF0301F1-33X	FPC CONNECTOR	
CN1016		QGB0401M1-A0X	CONNECTOR	
△ F6101		NMFZ007-1R6X-K	FUSE	T1.6A
△ F6102		NMFZ007-R20X-K	FUSE	T0.2A
△ F6103		NMFZ007-1R6X-K	FUSE	T1.6A
△ F6104		NMFZ007-R50X-K	FUSE	T0.5A
OT1		LY30029-065B	SPACER(A)	
OT2		LY30029-066A	SPACER(A)	
OT3		LY42538-001A	SHEET(MAIN)	
OT4		LY30029-078A	SPACER(A),X2	
OT5		LY30029-079A	SPACER(A)	
OT6		LY30029-082A	SPACER(A)	
SD1		LY31714-001A	SHIELD CASE	

#	△ REF No.	PART No.	PART NAME, DESCRIPTION	

MDA BOARD ASSEMBLY <02>				
PW2		YB10285A1-01	MDA BOARD ASSY	
IC1601		BD6630KV	IC	
IC1801		NAL0006-001X	IR SENSOR UNIT	
IC4802		TA75W01FU	IC	
IC4803		TA75W01FU	IC	
IC4804		UPC358G2/5/-W	IC	
IC4806		TC7W00FK	IC	
IC4807		TC7W66FK	IC	
IC4851		UPD16879GS	IC	
Q1601		UMC3N	TRANSISTOR	
Q1801		DTC143XE	TRANSISTOR	
Q4801		2SC4655/BC/-X	TRANSISTOR	
Q4802		2SC4617/RS/-X	TRANSISTOR	
Q4803		DTC144EE	TRANSISTOR	
Q4804		DTA144EE	TRANSISTOR	
Q4805		DTA143EE	TRANSISTOR	
Q4851		2SC4617/RS/-X	TRANSISTOR	
D1602		DAP222	DIODE	
D1603		DAP222	DIODE	
D1604		DAP222	DIODE	
D1801		TLSU1002/LM/-X	LE DIODE	
R1601		NRSA6AJ-681W	MG RESISTOR	680Ω,1/16W
R1602		NRSA6AJ-124W	MG RESISTOR	120kΩ,1/16W
R1603		NRSA6AJ-472W	MG RESISTOR	4.7kΩ,1/16W
R1604		NRSA6AJ-104W	MG RESISTOR	100kΩ,1/16W
R1605		NRV142F-R22X	CMF RESISTOR	0.22Ω,1/4W
R1606		NRSA6AJ-103W	MG RESISTOR	10kΩ,1/16W
R1609		NRV142F-R33X	CMF RESISTOR	0.33Ω,1/4W
R1610		NRSA6AJ-471W	MG RESISTOR	470Ω,1/16W
R1611		NRSA6AJ-471W	MG RESISTOR	470Ω,1/16W
R1612		NRSA6AJ-104W	MG RESISTOR	100kΩ,1/16W
R1613		NRSA6AJ-102W	MG RESISTOR	1kΩ,1/16W
R1614		NRSA6AJ-682W	MG RESISTOR	6.8kΩ,1/16W
R1615		NRSA6AJ-103W	MG RESISTOR	10kΩ,1/16W
R1616		NRSA6AJ-391W	MG RESISTOR	390Ω,1/16W
R1617		NRSA6AJ-224W	MG RESISTOR	220kΩ,1/16W
R1618		NRSA6AJ-154W	MG RESISTOR	150kΩ,1/16W
R1619		NRSA6AJ-223W	MG RESISTOR	22kΩ,1/16W
R1620		NRSA6AJ-103W	MG RESISTOR	10kΩ,1/16W
R1621		NRSA6AJ-103W	MG RESISTOR	10kΩ,1/16W
R1622		NRSA6AJ-103W	MG RESISTOR	10kΩ,1/16W
R1624		NRVA6AD-123W	CMF RESISTOR	12kΩ,1/16W
R1625		NRSA6AJ-0R0W	MG RESISTOR	0Ω,1/16W
R1626		NRSA6AJ-0R0W	MG RESISTOR	0Ω,1/16W
R1627		NRSA6AJ-0R0W	MG RESISTOR	0Ω,1/16W
R1628		NRVA6AD-361W	CMF RESISTOR	360Ω,1/16W
R1629		NRSA6AJ-684W	MG RESISTOR	680kΩ,1/16W
R1630		NRSA6AJ-0R0W	MG RESISTOR	0Ω,1/16W
R1631		NRSA6AJ-0R0W	MG RESISTOR	0Ω,1/16W
R1632		NRSA6AJ-0R0W	MG RESISTOR	0Ω,1/16W
R1633		NRSA6AJ-0R0W	MG RESISTOR	0Ω,1/16W
R1634		NRSA6AJ-0R0W	MG RESISTOR	0Ω,1/16W
R1635		NRSA6AJ-472W	MG RESISTOR	4.7kΩ,1/16W
R1636		NRSA6AJ-103W	MG RESISTOR	10kΩ,1/16W
R1637		NRSA6AJ-124W	MG RESISTOR	120kΩ,1/16W
R1642		NRSA6AJ-0R0W	MG RESISTOR	0Ω,1/16W
R1644		NRSA6AJ-0R0W	MG RESISTOR	0Ω,1/16W

#	△ REF No.	PART No.	PART NAME, DESCRIPTION
C5202		NCF31EZ-104X	CAPACITOR 0.1μF,25V
C5203		NBEE1AM-226X	T CAPACITOR 22μF,10V
C5204		NCB31CK-104X	CAPACITOR 0.1μF,16V
C5205		NCB31CK-104X	CAPACITOR 0.1μF,16V
C5206		NBZ0003-475X	T CAPACITOR 4.7μF
C5207		NCF31EZ-104X	CAPACITOR 0.1μF,25V
C5208		NCB31HK-222X	CAPACITOR 0.0022μF,50V
C5209		NCB21EK-104X	CAPACITOR 0.1μF,25V
WR1		WJR0017-001A	E-SH C WIRE C-F

MONITOR BOARD ASSEMBLY <04>

PW	YB10289A-01	MONITOR BOARD ASSY
IC7501	TL1451CPW	IC
IC7502	TC7SH04FU	IC(DIGITAL)
	or SN74AHC1G04K	IC
IC7601	AN2533FH	IC
IC7603	AT25040N-10SC-X	IC
IC7604	BU4053BCFV	IC
IC7607	TC7S04FU	IC
IC7608	TC7S08FU	IC(DIGITAL)
Q7501	UMD3N	TRANSISTOR
Q7502	SSM3K01F	MOS FET
Q7503	2SC4617/QRS/-X	TRANSISTOR
Q7504	XP6401	TRANSISTOR
Q7601	2SA1774/QR/-X	TRANSISTOR
Q7602	UMC4N	TRANSISTOR
Q7604	DTA114YE	TRANSISTOR
Q7605	DTA114YE	TRANSISTOR
Q7606	DTA114YE	TRANSISTOR
Q7607	DTA114YE	TRANSISTOR
Q7608	UMZ1N	PAIR TRANSISTOR
Q7609	2SC4097/QR/-X	TRANSISTOR
Q7610	2SA1577/QR/-X	TRANSISTOR
Q7615	DTA144EE	TRANSISTOR
Q7616	UMC4N	TRANSISTOR
Q7618	DTC144EE	TRANSISTOR
D7501	MA142WK	DIODE
D7601	RB471E	SB DIODE
D7602	MA111	DIODE
D7603	MA111	DIODE
R7501	NRVA6AD-103W	CMF RESISTOR 10kΩ,1/16W
R7502	NRVA6AD-123W	CMF RESISTOR 12kΩ,1/16W
R7503	NRVA63D-334X	CMF RESISTOR 330kΩ,1/16W
R7504	NRSA6AJ-394W	MG RESISTOR 390kΩ,1/16W
R7505	NRSA6AJ-562W	MG RESISTOR 5.6kΩ,1/16W
R7506	NRSA6AJ-183W	MG RESISTOR 18kΩ,1/16W
R7507	NRSA6AJ-472W	MG RESISTOR 4.7kΩ,1/16W
R7508	NRS181J-335X	MG RESISTOR 3.3MΩ,1/8W
R7509	NRS181J-335X	MG RESISTOR 3.3MΩ,1/8W
R7510	NRSA6AJ-153W	MG RESISTOR 15kΩ,1/16W
R7511	NRSA6AJ-102W	MG RESISTOR 1kΩ,1/16W
R7512	NRSA6AJ-822W	MG RESISTOR 8.2kΩ,1/16W
R7513	NRSA6AJ-273W	MG RESISTOR 27kΩ,1/16W
R7514	NRSA6AJ-124W	MG RESISTOR 120kΩ,1/16W
R7515	NRSA6AJ-151W	MG RESISTOR 150Ω,1/16W
R7516	NRSA6AJ-151W	MG RESISTOR 150Ω,1/16W
R7517	NRSA6AJ-122W	MG RESISTOR 1.2kΩ,1/16W

#	△ REF No.	PART No.	PART NAME, DESCRIPTION
R7518		NRSA6AJ-332W	MG RESISTOR 3.3kΩ,1/16W
R7519		NRSA6AJ-163W	MG RESISTOR 16kΩ,1/16W
R7520		NRSA6AJ-393W	MG RESISTOR 39kΩ,1/16W
R7521		NRVA6AD-153W	CMF RESISTOR 15kΩ,1/16W
R7523		NRVA63D-184X	CMF RESISTOR 180kΩ,1/16W
R7524		NRVA63D-114X	CMF RESISTOR 110kΩ,1/16W
R7525		NRSA6AJ-333W	MG RESISTOR 33kΩ,1/16W
R7526		NRSA6AJ-0R0W	MG RESISTOR 0Ω,1/16W
R7602		NRSA6AJ-104W	MG RESISTOR 100kΩ,1/16W
R7603		NRSA6AJ-104W	MG RESISTOR 100kΩ,1/16W
R7604		NRSA6AJ-563W	MG RESISTOR 56kΩ,1/16W
R7610		NRSA6AJ-563W	MG RESISTOR 56kΩ,1/16W
R7611		NRSA6AJ-153W	MG RESISTOR 15kΩ,1/16W
R7612		NRSA6AJ-103W	MG RESISTOR 10kΩ,1/16W
R7613		NRSA6AJ-104W	MG RESISTOR 100kΩ,1/16W
R7614		NRSA6AJ-104W	MG RESISTOR 100kΩ,1/16W
R7615		NRSA6AJ-104W	MG RESISTOR 100kΩ,1/16W
R7616		NRSA6AJ-101W	MG RESISTOR 100Ω,1/16W
R7617		NRSA6AJ-102W	MG RESISTOR 1kΩ,1/16W
R7620		NRSA6AJ-102W	MG RESISTOR 1kΩ,1/16W
R7627		NRSA6AJ-101W	MG RESISTOR 100Ω,1/16W
R7631		NRSA6AJ-103W	MG RESISTOR 10kΩ,1/16W
R7635		NRSA6AJ-220W	MG RESISTOR 22Ω,1/16W
R7636		NRSA6AJ-220W	MG RESISTOR 22Ω,1/16W
R7637		NRVA6AD-123W	CMF RESISTOR 12kΩ,1/16W
R7638		NRVA6AD-123W	CMF RESISTOR 12kΩ,1/16W
R7639		NRVA6AD-123W	CMF RESISTOR 12kΩ,1/16W
R7640		NRVA6AD-123W	CMF RESISTOR 12kΩ,1/16W
R7641		NRVA6AD-123W	CMF RESISTOR 12kΩ,1/16W
R7642		NRVA6AD-123W	CMF RESISTOR 12kΩ,1/16W
R7643		NRSA6AJ-220W	MG RESISTOR 22Ω,1/16W
R7645		NRSA6AJ-473W	MG RESISTOR 47kΩ,1/16W
R7646		NRSA6AJ-472W	MG RESISTOR 4.7kΩ,1/16W
R7649		NRVA6AD-222W	CMF RESISTOR 2.2kΩ,1/16W
R7650		NRVA6AD-222W	CMF RESISTOR 2.2kΩ,1/16W
R7651		NRVA6AD-222W	CMF RESISTOR 2.2kΩ,1/16W
R7652		NRVA6AD-222W	CMF RESISTOR 2.2kΩ,1/16W
R7653		NRVA6AD-222W	CMF RESISTOR 2.2kΩ,1/16W
R7654		NRVA6AD-222W	CMF RESISTOR 2.2kΩ,1/16W
R7657		NRSA6AJ-273W	MG RESISTOR 27kΩ,1/16W
R7658		NRSA6AJ-222W	MG RESISTOR 2.2kΩ,1/16W
R7659		NRSA6AJ-394W	MG RESISTOR 390kΩ,1/16W
R7660		NRSA6AJ-681W	MG RESISTOR 680Ω,1/16W
R7661		NRSA6AJ-223W	MG RESISTOR 22kΩ,1/16W
R7662		NRSA6AJ-101W	MG RESISTOR 100Ω,1/16W
R7663		NRSA6AJ-101W	MG RESISTOR 100Ω,1/16W
R7664		NRSA6AJ-683W	MG RESISTOR 68kΩ,1/16W
R7665		NRSA6AJ-683W	MG RESISTOR 68kΩ,1/16W
R7666		NRSA6AJ-683W	MG RESISTOR 68kΩ,1/16W
R7673		NRSA6AJ-223W	MG RESISTOR 22kΩ,1/16W
R7675		NRSA6AJ-103W	MG RESISTOR 10kΩ,1/16W
R7680		NRSA6AJ-681W	MG RESISTOR 680Ω,1/16W
R7681		NRSA6AJ-331W	MG RESISTOR 330Ω,1/16W
R7682		NRSA6AJ-223W	MG RESISTOR 22kΩ,1/16W
C7501		NCB31CK-104X	CAPACITOR 0.1μF,16V
C7502		NBE90JM-106X	T CAPACITOR 10μF,6.3V
C7503		NBE91AM-335X	T CAPACITOR 3.3μF,10V
C7504		NBP41CM-226X	T CAPACITOR 22μF,16V
C7505		NCBA1CK-103W	CAPACITOR 0.01μF,16V
C7506		NBE90JM-685X	T CAPACITOR 6.8μF,6.3V
C7507		NDC31HJ-331X	CAPACITOR 330pF,50V

#	REF No.	PART No.	PART NAME, DESCRIPTION	
	C7508	NCB21EK-104X	CAPACITOR	0.1μF,25V
	C7509	NBP41CM-226X	T CAPACITOR	22μF,16V
	C7601	NCBA1AK-104W	CAPACITOR	0.1μF,10V
	C7602	NBEE0JM-476X	T CAPACITOR	47μF,6.3V
	C7603	NBE90JM-106X	T CAPACITOR	10μF,6.3V
	C7604	NCBA1AK-104W	CAPACITOR	0.1μF,10V
	C7605	NCBA1AK-104W	CAPACITOR	0.1μF,10V
	C7606	NCZ1028-225X	CAPACITOR	2.2μF
	C7607	NCF31CZ-104X	CAPACITOR	0.1μF,16V
	C7608	NCZ1028-225X	CAPACITOR	2.2μF
	C7609	NCZ1028-225X	CAPACITOR	2.2μF
	C7610	NBP41CM-226X	T CAPACITOR	22μF,16V
	C7614	NCBA1AK-104W	CAPACITOR	0.1μF,10V
	C7615	NBE20JM-226X	T CAPACITOR	22μF,6.3V
	C7618	NCBA1CK-822W	CAPACITOR	0.0082μF,16V
	C7619	NBE90JM-225X	T CAPACITOR	2.2μF,6.3V
	C7620	NBE90JM-106X	T CAPACITOR	10μF,6.3V
	C7621	NDCA1HJ-151W	CAPACITOR	150pF,50V
	C7623	NDC31HJ-471X	CAPACITOR	470pF,50V
	C7625	NCB30JK-105X	CAPACITOR	1μF,6.3V
	C7626	NDCA1HJ-270W	CAPACITOR	27pF,50V
	C7627	NCBA1AK-104W	CAPACITOR	0.1μF,10V
	C7628	NCB21AK-225X	CAPACITOR	2.2μF,10V
	C7629	NBE90JM-106X	T CAPACITOR	10μF,6.3V
	C7630	NCBA1AK-104W	CAPACITOR	0.1μF,10V
	C7631	NCF31AZ-105X	CAPACITOR	1μF,10V
	C7632	NCF31AZ-105X	CAPACITOR	1μF,10V
	C7636	NCBA1HK-102W	CAPACITOR	0.001μF,50V
	C7637	NCBA1HK-102W	CAPACITOR	0.001μF,50V
	C7638	NCFA1AZ-104W	CAPACITOR	0.1μF,10V
	C7639	NCF31CZ-104X	CAPACITOR	0.1μF,16V
	C7640	NBE81AM-106X	T CAPACITOR	10μF,10V
	C7641	NBE81AM-106X	T CAPACITOR	10μF,10V
	C7642	NBE81AM-106X	T CAPACITOR	10μF,10V
	C7646	NBP81DM-155X	T CAPACITOR	1.5μF,20V
	C7647	NBP81DM-155X	T CAPACITOR	1.5μF,20V
	C7648	NCF31CZ-104X	CAPACITOR	0.1μF,16V
	C7650	NBP41EM-475X	T CAPACITOR	4.7μF,25V
	C7652	NBE90JM-106X	T CAPACITOR	10μF,6.3V
	C7654	NBP41EM-475X	T CAPACITOR	4.7μF,25V
	C7656	NCF31AZ-105X	CAPACITOR	1μF,10V
	L7501	NQLZ008-101X	COIL	100μH
	L7502	NQL38DK-220X	COIL	22μH
	L7503	NQL034K-100X	COIL	10μH
	L7603	NQL38DK-220X	COIL	22μH
	L7604	NQL38DK-220X	COIL	22μH
	L7605	NQL38DK-220X	COIL	22μH
	L7606	NQL013K-150X	COIL	15μH
	L7607	NQL38DK-220X	COIL	22μH
	L7610	NQL38DK-220X	COIL	22μH
	L7611	NQL38DK-220X	COIL	22μH
	T7501	NQS0040-001X	SW TRANSF	
	T7502	NAX0334-001	PIEZOELE TRANSF	
	CN7501	QGF0304F1-39X	FFC/FPC CONNECTOR	
	CN7502	QGF0517F1-24X	FPC CONNECTOR	
△	F7501	NMFZ009-R50X-J1	FUSE	T0.5A
	OT1	LY42526-001A	SHIELD SHEET	
	OT2	LY30029-068B	SPACER(A)	
	OT3	LY30029-092A	SPACER(A)	

#	REF No.	PART No.	PART NAME, DESCRIPTION	

MMC BOARD ASSEMBLY <06>				
	PW3	YB10288A3	MMC BOARD ASSY	
	R8501	NRSA63J-103X	MG RESISTOR	10kΩ,1/16W
	R8502	NRSA63J-473X	MG RESISTOR	47kΩ,1/16W
	R8503	NRSA63J-103X	MG RESISTOR	10kΩ,1/16W
	R8504	NRSA63J-104X	MG RESISTOR	100kΩ,1/16W
	R8505	NRSA63J-153X	MG RESISTOR	15kΩ,1/16W
	R8506	NRSA63J-183X	MG RESISTOR	18kΩ,1/16W
	R8507	NRSA63J-103X	MG RESISTOR	10kΩ,1/16W
	R8508	NRSA63J-103X	MG RESISTOR	10kΩ,1/16W
	R8511	NRSA63J-0R0X	MG RESISTOR	0Ω,1/16W
	R8512	NRSA63J-0R0X	MG RESISTOR	0Ω,1/16W
	R8513	NRSA63J-0R0X	MG RESISTOR	0Ω,1/16W
	R8515	NRSA63J-0R0X	MG RESISTOR	0Ω,1/16W
	R8516	NRSA63J-0R0X	MG RESISTOR	0Ω,1/16W
	R8517	NRSA63J-0R0X	MG RESISTOR	0Ω,1/16W
	C8501	NBE20JM-106X	T CAPACITOR	10μF,6.3V
	L8501	NQR0129-002X	FERRITE BEAD	
	BT8501	QAB0020-001	LI BATTERY	
	CN601	QGF0505F1-14X	FPC CONNECTOR	
	CN602	QGF0505F1-06X	FPC CONNECTOR	
	CN604	NNZ0035-001X	MMC CONNECTOR	

STROBE BOARD ASSEMBLY <07>				
	PW	YB10249C	STROBE BOARD ASSY	
	IC6502	TC7SET08FU	IC(DIGITAL)	
	Q6501	2SB1462J/RS/-X	TRANSISTOR	
	Q6502	UN9211J	TRANSISTOR	
		or DTC114EE	TRANSISTOR	
△	Q6503	2SB1124/ST/-X	TRANSISTOR	
	Q6504	2SD1628/FG/-X	TRANSISTOR	
	Q6506	CT25ASJ-8-X	POW TRANSISTOR	
	D6501	F1F16	DIODE	
	D6502	DA121	DIODE	
	D6503	F1SN4	DIODE	
	D6504	CRG02	DIODE	
	R6501	NRSA63J-3R9X	MG RESISTOR	3.9Ω,1/16W
	R6502	NRSA63J-4R7X	MG RESISTOR	4.7Ω,1/16W
	R6504	NRSA6AJ-471W	MG RESISTOR	470Ω,1/16W
	R6505	NRSA6AJ-222W	MG RESISTOR	2.2kΩ,1/16W
	R6506	NRSA6AJ-152W	MG RESISTOR	1.5kΩ,1/16W
	R6507	NRSA02J-106X	MG RESISTOR	10MΩ,1/10W
	R6508	NRVA63D-184X	CMF RESISTOR	180kΩ,1/16W
	R6511	NRSA6AJ-473W	MG RESISTOR	47kΩ,1/16W
	R6514	NRSA02J-105X	MG RESISTOR	1MΩ,1/10W
	R6515	NRS181J-220X	MG RESISTOR	22Ω,1/8W
	R6516	NRSA02J-104X	MG RESISTOR	100kΩ,1/10W
	R6519	NRSA02J-106X	MG RESISTOR	10MΩ,1/10W
	R6520	NRSA6AJ-330W	MG RESISTOR	33Ω,1/16W
	R6527	NRSA6AJ-391W	MG RESISTOR	390Ω,1/16W
	C6501	NBE41AM-336X	T CAPACITOR	33μF,10V
	C6502	NBE41AM-226X	T CAPACITOR	22μF,10V
	C6503	NCBA1CK-103W	CAPACITOR	0.01μF,16V

#	△ REF No.	PART No.	PART NAME, DESCRIPTION	
C6506		NCZ1008-333X	CAPACITOR	0.033μF
C6507		NCZ1019-273X	CAPACITOR	0.027μF
C6508		NCBA1CK-103W	CAPACITOR	0.01μF,16V
C6509		NCZ1024-103X	CAPACITOR	0.01μF
C6512		QEZ0450-326	E CAPACITOR	32μF
L6501		NQS0042-001X	SW TRANSF	
L6502		NQL302N-100X	COIL	10μH
L6503		NQL044K-470X	COIL	47μH
HD1		LY31715-001A	HOLDER(STROBE)	
UN1		LY31121-001D	STROBE ASSY	
WR1		WJT0033-001A	E-CARD WIRE	
J6501		QUB490-02A2A2	WIRE	
J6502		QUB499-02A2A2	WIRE	
CN6501		QGF0513F1-12X	FPC CONNECTOR	
OT1		LY30016-0F6A	SPACER-A	
OT2		LY30018-037A	SPECIAL SCREW	
OT3		LY41409-002A	SPACER(STROBE)	

AUDIO VF BOARD ASSEMBLY <08>

PW1	YB10285B2-02	AUDIO VF BOARD ASSY	
IC2101	AK4550VT	IC	
IC2102	AK4550VT	IC	
IC2103	JCY0137	IC	
IC2201	LA74202W	IC	
IC2301	NJM2100V	IC	
IC2302	NJM2100V	IC	
Q2101	2SC5585	TRANSISTOR	
Q2102	2SC5585	TRANSISTOR	
Q2201	2SC4617/QR/-X	TRANSISTOR	
Q2301	2SC4617/QR/-X	TRANSISTOR	
Q2401	2SC4617/QR/-X	TRANSISTOR	
Q2403	2SD1511/R/-X	TRANSISTOR	
Q2602	NRSA6AJ-563W	MG RESISTOR	56kΩ,1/16W
	or NRVA6AD-563W	CMF RESISTOR	56kΩ,1/16W
Q2603	2SC4617/QR/-X	TRANSISTOR	
Q2604	2SC4617/QR/-X	TRANSISTOR	
Q2755	UMX1N	PAIR TRANSISTOR	
Q7401	UMZ1N	PAIR TRANSISTOR	
D2001	TLSU1002/LM/-X	LE DIODE	
D2751	DAN222	DIODE	
R2001	NRSA6AJ-471W	MG RESISTOR	470Ω,1/16W
R2002	NRVA6AD-103W	CMF RESISTOR	10kΩ,1/16W
R2003	NRVA6AD-152W	CMF RESISTOR	1.5kΩ,1/16W
R2004	NRVA6AD-182W	CMF RESISTOR	1.8kΩ,1/16W
R2005	NRVA6AD-272W	CMF RESISTOR	2.7kΩ,1/16W
R2101	NRSA6AJ-471W	MG RESISTOR	470Ω,1/16W
R2102	NRSA6AJ-471W	MG RESISTOR	470Ω,1/16W
R2103	NRSA6AJ-0R0W	MG RESISTOR	0Ω,1/16W
R2104	NRSA6AJ-0R0W	MG RESISTOR	0Ω,1/16W
R2105	NRSA6AJ-0R0W	MG RESISTOR	0Ω,1/16W
R2111	NRSA6AJ-471W	MG RESISTOR	470Ω,1/16W
R2112	NRSA6AJ-471W	MG RESISTOR	470Ω,1/16W
R2113	NRSA6AJ-0R0W	MG RESISTOR	0Ω,1/16W
R2114	NRSA6AJ-0R0W	MG RESISTOR	0Ω,1/16W
R2117	NRSA6AJ-0R0W	MG RESISTOR	0Ω,1/16W
R2118	NRSA6AJ-103W	MG RESISTOR	10kΩ,1/16W

#	△ REF No.	PART No.	PART NAME, DESCRIPTION	
R2119		NRSA6AJ-103W	MG RESISTOR	10kΩ,1/16W
R2120		NRSA6AJ-332W	MG RESISTOR	3.3kΩ,1/16W
R2121		NRSA6AJ-564W	MG RESISTOR	560kΩ,1/16W
R2122		NRSA6AJ-564W	MG RESISTOR	560kΩ,1/16W
R2131		NRSA6AJ-100W	MG RESISTOR	10Ω,1/16W
R2132		NRSA6AJ-100W	MG RESISTOR	10Ω,1/16W
R2133		NRSA6AJ-100W	MG RESISTOR	10Ω,1/16W
R2134		NRSA6AJ-0R0W	MG RESISTOR	0Ω,1/16W
R2135		NRSA6AJ-0R0W	MG RESISTOR	0Ω,1/16W
R2136		NRSA6AJ-0R0W	MG RESISTOR	0Ω,1/16W
R2137		NRSA6AJ-0R0W	MG RESISTOR	0Ω,1/16W
R2138		NRSA6AJ-0R0W	MG RESISTOR	0Ω,1/16W
R2139		NRSA6AJ-0R0W	MG RESISTOR	0Ω,1/16W
R2141		NRSA6AJ-0R0W	MG RESISTOR	0Ω,1/16W
R2202		NRSA6AJ-472W	MG RESISTOR	4.7kΩ,1/16W
R2203		NRSA6AJ-2R7W	MG RESISTOR	2.7Ω,1/16W
R2204		NRSA6AJ-2R7W	MG RESISTOR	2.7Ω,1/16W
R2205		NRSA6AJ-823W	MG RESISTOR	82kΩ,1/16W
R2206		NRSA6AJ-472W	MG RESISTOR	4.7kΩ,1/16W
R2208		NRSA6AJ-392W	MG RESISTOR	3.9kΩ,1/16W
R2210		NRSA6AJ-332W	MG RESISTOR	3.3kΩ,1/16W
R2220		NRSA6AJ-102W	MG RESISTOR	1kΩ,1/16W
R2221		NRSA6AJ-102W	MG RESISTOR	1kΩ,1/16W
R2224		NRSA6AJ-222W	MG RESISTOR	2.2kΩ,1/16W
R2228		NRSA6AJ-103W	MG RESISTOR	10kΩ,1/16W
R2229		NRSA6AJ-0R0W	MG RESISTOR	0Ω,1/16W
R2234		NRSA6AJ-332W	MG RESISTOR	3.3kΩ,1/16W
R2301		NRSA6AJ-560W	MG RESISTOR	56Ω,1/16W
R2302		NRSA6AJ-560W	MG RESISTOR	56Ω,1/16W
R2303		NRSA6AJ-0R0W	MG RESISTOR	0Ω,1/16W
R2305		NRSA6AJ-183W	MG RESISTOR	18kΩ,1/16W
R2306		NRSA6AJ-473W	MG RESISTOR	47kΩ,1/16W
R2307		NRSA6AJ-183W	MG RESISTOR	18kΩ,1/16W
R2309		NRSA6AJ-184W	MG RESISTOR	180kΩ,1/16W
R2310		NRSA6AJ-223W	MG RESISTOR	22kΩ,1/16W
R2311		NRSA6AJ-473W	MG RESISTOR	47kΩ,1/16W
R2312		NRSA6AJ-183W	MG RESISTOR	18kΩ,1/16W
R2314		NRSA6AJ-183W	MG RESISTOR	18kΩ,1/16W
R2315		NRSA6AJ-223W	MG RESISTOR	22kΩ,1/16W
R2316		NRSA6AJ-184W	MG RESISTOR	180kΩ,1/16W
R2317		NRSA6AJ-104W	MG RESISTOR	100kΩ,1/16W
R2318		NRSA6AJ-104W	MG RESISTOR	100kΩ,1/16W
R2319		NRSA6AJ-104W	MG RESISTOR	100kΩ,1/16W
R2320		NRSA6AJ-104W	MG RESISTOR	100kΩ,1/16W
R2321		NRSA6AJ-104W	MG RESISTOR	100kΩ,1/16W
R2322		NRSA6AJ-104W	MG RESISTOR	100kΩ,1/16W
R2323		NRSA6AJ-104W	MG RESISTOR	100kΩ,1/16W
R2324		NRSA6AJ-104W	MG RESISTOR	100kΩ,1/16W
R2325		NRSA6AJ-104W	MG RESISTOR	100kΩ,1/16W
R2326		NRSA6AJ-104W	MG RESISTOR	100kΩ,1/16W
R2327		NRSA6AJ-102W	MG RESISTOR	1kΩ,1/16W
R2328		NRSA6AJ-103W	MG RESISTOR	10kΩ,1/16W
R2329		NRSA63J-0R0X	MG RESISTOR	0Ω,1/16W
R2330		NRSA63J-0R0X	MG RESISTOR	0Ω,1/16W
R2333		NRSA6AJ-0R0W	MG RESISTOR	0Ω,1/16W
R2334		NRSA6AJ-0R0W	MG RESISTOR	0Ω,1/16W
R2401		NRSA6AJ-103W	MG RESISTOR	10kΩ,1/16W
R2402		NRSA6AJ-473W	MG RESISTOR	47kΩ,1/16W
R2412		NRSA6AJ-153W	MG RESISTOR	15kΩ,1/16W
R2413		NRSA6AJ-103W	MG RESISTOR	10kΩ,1/16W
R2415		NRSA6AJ-560W	MG RESISTOR	56Ω,1/16W

#	△ REF No.	PART No.	PART NAME, DESCRIPTION	#	△ REF No.	PART No.	PART NAME, DESCRIPTION	
R2429		NRSA6AJ-0R0W	MG RESISTOR	0Ω,1/16W	C2117	NCB31CK-104X	CAPACITOR	0.1μF,16V
R2601		NRSA6AJ-182W	MG RESISTOR	1.8kΩ,1/16W	C2118	NBE90JM-106X	T CAPACITOR	10μF,6.3V
R2602		NRSA6AJ-182W	MG RESISTOR	1.8kΩ,1/16W	C2119	NCB31CK-104X	CAPACITOR	0.1μF,16V
R2603		NRSA6AJ-123W	MG RESISTOR	12kΩ,1/16W	C2120	NCB31CK-104X	CAPACITOR	0.1μF,16V
R2604		NRSA6AJ-123W	MG RESISTOR	12kΩ,1/16W	C2131	NBE90JM-106X	T CAPACITOR	10μF,6.3V
R2609		NRSA6AJ-332W	MG RESISTOR	3.3kΩ,1/16W	C2132	NCB31CK-104X	CAPACITOR	0.1μF,16V
R2610		NRSA6AJ-332W	MG RESISTOR	3.3kΩ,1/16W	C2134	NDCA1HJ-101W	CAPACITOR	100pF,50V
R2613		NRSA6AJ-472W	MG RESISTOR	4.7kΩ,1/16W	C2136	NDCA1HJ-101W	CAPACITOR	100pF,50V
R2614		NRSA6AJ-472W	MG RESISTOR	4.7kΩ,1/16W	C2137	NDCA1HJ-101W	CAPACITOR	100pF,50V
R2615		NRSA6AJ-682W	MG RESISTOR	6.8kΩ,1/16W	C2203	NBE90JM-475X	T CAPACITOR	4.7μF,6.3V
R2616		NRSA6AJ-682W	MG RESISTOR	6.8kΩ,1/16W	C2204	NBE90JM-106X	T CAPACITOR	10μF,6.3V
R2619		NRSA6AJ-472W	MG RESISTOR	4.7kΩ,1/16W	C2207	NCBA1AK-104W	CAPACITOR	0.1μF,10V
R2620		NRSA6AJ-472W	MG RESISTOR	4.7kΩ,1/16W	C2208	NCBA1AK-104W	CAPACITOR	0.1μF,10V
R2621		NRSA6AJ-472W	MG RESISTOR	4.7kΩ,1/16W	C2210	NBE40JM-476X	T CAPACITOR	47μF,6.3V
R2622		NRSA6AJ-472W	MG RESISTOR	4.7kΩ,1/16W	C2211	NBE40JM-476X	T CAPACITOR	47μF,6.3V
R2623		NRSA6AJ-5R6W	MG RESISTOR	5.6Ω,1/16W	C2212	NBE90JM-106X	T CAPACITOR	10μF,6.3V
R2624		NRSA6AJ-5R6W	MG RESISTOR	5.6Ω,1/16W	C2214	NCB31CK-104X	CAPACITOR	0.1μF,16V
R2627		NRSA6AJ-0R0W	MG RESISTOR	0Ω,1/16W	C2215	NCB31CK-104X	CAPACITOR	0.1μF,16V
R2628		NRSA6AJ-0R0W	MG RESISTOR	0Ω,1/16W	C2216	NCBA1CK-103W	CAPACITOR	0.01μF,16V
R2629		NRSA6AJ-333W	MG RESISTOR	33kΩ,1/16W	C2217	NCBA1AK-104W	CAPACITOR	0.1μF,10V
R2630		NRSA6AJ-333W	MG RESISTOR	33kΩ,1/16W	C2220	NCB30JK-105X	CAPACITOR	1μF,6.3V
R2631		NRSA6AJ-153W	MG RESISTOR	15kΩ,1/16W	C2221	NCB30JK-105X	CAPACITOR	1μF,6.3V
R2632		NRSA6AJ-153W	MG RESISTOR	15kΩ,1/16W	C2224	NCBA1AK-104W	CAPACITOR	0.1μF,10V
R2633		NRSA6AJ-153W	MG RESISTOR	15kΩ,1/16W	C2227	NCB21CK-105X	CAPACITOR	1μF,16V
R2634		NRSA6AJ-153W	MG RESISTOR	15kΩ,1/16W	C2230	NCB31CK-104X	CAPACITOR	0.1μF,16V
R2640		NRSA6AJ-182W	MG RESISTOR	1.8kΩ,1/16W	C2301	NBE90JM-106X	T CAPACITOR	10μF,6.3V
R2641		NRSA6AJ-182W	MG RESISTOR	1.8kΩ,1/16W	C2303	NCB30JK-105X	CAPACITOR	1μF,6.3V
R2642		NRSA6AJ-102W	MG RESISTOR	1kΩ,1/16W	C2304	NCB30JK-105X	CAPACITOR	1μF,6.3V
R2643		NRSA6AJ-473W	MG RESISTOR	47kΩ,1/16W	C2305	NCB30JK-105X	CAPACITOR	1μF,6.3V
R2715		NRSA6AJ-0R0W	MG RESISTOR	0Ω,1/16W	C2306	NCB30JK-105X	CAPACITOR	1μF,6.3V
R2756		NRSA6AJ-332W	MG RESISTOR	3.3kΩ,1/16W	C2307	NCB30JK-105X	CAPACITOR	1μF,6.3V
R2757		NRSA6AJ-564W	MG RESISTOR	560kΩ,1/16W	C2308	NCB30JK-105X	CAPACITOR	1μF,6.3V
R2758		NRSA6AJ-564W	MG RESISTOR	560kΩ,1/16W	C2309	NCB30JK-105X	CAPACITOR	1μF,6.3V
R2759		NRSA6AJ-821W	MG RESISTOR	820Ω,1/16W	C2310	NCB30JK-105X	CAPACITOR	1μF,6.3V
R2760		NRSA6AJ-821W	MG RESISTOR	820Ω,1/16W	C2311	NCB31CK-104X	CAPACITOR	0.1μF,16V
R2775		NRSA6AJ-223W	MG RESISTOR	22kΩ,1/16W	C2312	NCB30JK-105X	CAPACITOR	1μF,6.3V
R2776		NRSA6AJ-223W	MG RESISTOR	22kΩ,1/16W	C2313	NCB30JK-105X	CAPACITOR	1μF,6.3V
R2777		NRSA6AJ-103W	MG RESISTOR	10kΩ,1/16W	C2314	NCB30JK-105X	CAPACITOR	1μF,6.3V
R2778		NRSA6AJ-103W	MG RESISTOR	10kΩ,1/16W	C2315	NCB31CK-104X	CAPACITOR	0.1μF,16V
R7427		NRSA6AJ-0R0W	MG RESISTOR	0Ω,1/16W	C2316	NCB31CK-104X	CAPACITOR	0.1μF,16V
R7428		NRSA6AJ-0R0W	MG RESISTOR	0Ω,1/16W	C2402	NBE90JM-106X	T CAPACITOR	10μF,6.3V
R7429		NRSA6AJ-0R0W	MG RESISTOR	0Ω,1/16W	C2412	NBE40JM-476X	T CAPACITOR	47μF,6.3V
R7430		NRSA6AJ-0R0W	MG RESISTOR	0Ω,1/16W	C2413	NBE40JM-476X	T CAPACITOR	47μF,6.3V
R7442		NRVA6AD-153W	CMF RESISTOR	15kΩ,1/16W	C2603	NCB31EK-472X	CAPACITOR	0.0047μF,25V
R7443		NRSA6AJ-224W	MG RESISTOR	220kΩ,1/16W	C2604	NCB31EK-472X	CAPACITOR	0.0047μF,25V
R7444		NRSA6AJ-224W	MG RESISTOR	220kΩ,1/16W	C2605	NCBA1HK-152W	CAPACITOR	0.0015μF,50V
R7445		NRSA6AJ-153W	MG RESISTOR	15kΩ,1/16W	C2606	NCBA1HK-152W	CAPACITOR	0.0015μF,50V
C2101		NCB30JK-105X	CAPACITOR	1μF,6.3V	C2611	NCB31CK-333X	CAPACITOR	0.033μF,16V
C2102		NCB30JK-105X	CAPACITOR	1μF,6.3V	C2612	NCB31CK-333X	CAPACITOR	0.033μF,16V
C2103		NCBA1HK-222W	CAPACITOR	0.0022μF,50V	C2613	NCBA1HK-332W	CAPACITOR	0.0033μF,50V
C2104		NCBA1HK-222W	CAPACITOR	0.0022μF,50V	C2614	NCBA1HK-332W	CAPACITOR	0.0033μF,50V
C2105		NBE90JM-475X	T CAPACITOR	4.7μF,6.3V	C2617	NCB31CK-273X	CAPACITOR	0.027μF,16V
C2106		NCB31CK-104X	CAPACITOR	0.1μF,16V	C2618	NCB31CK-273X	CAPACITOR	0.027μF,16V
C2107		NCB31CK-104X	CAPACITOR	0.1μF,16V	C2621	NBE90JM-475X	T CAPACITOR	4.7μF,6.3V
C2108		NBE90JM-106X	T CAPACITOR	10μF,6.3V	C2622	NBE90JM-475X	T CAPACITOR	4.7μF,6.3V
C2111		NCB30JK-105X	CAPACITOR	1μF,6.3V	C2625	NCB31CK-104X	CAPACITOR	0.1μF,16V
C2112		NCB30JK-105X	CAPACITOR	1μF,6.3V	C2626	NCB31CK-104X	CAPACITOR	0.1μF,16V
C2113		NCBA1HK-222W	CAPACITOR	0.0022μF,50V	C2627	NCBA1HK-102W	CAPACITOR	0.001μF,50V
C2114		NCBA1HK-222W	CAPACITOR	0.0022μF,50V	C2628	NCBA1HK-102W	CAPACITOR	0.001μF,50V
C2115		NBE90JM-475X	T CAPACITOR	4.7μF,6.3V	C2629	NBE20GM-336X	T CAPACITOR	33μF,4.0V
C2116		NCB31CK-104X	CAPACITOR	0.1μF,16V	C2631	NCB31EK-103X	CAPACITOR	0.01μF,25V

#	△ REF No.	PART No.	PART NAME, DESCRIPTION	
C2632	NCB31EK-103X	CAPACITOR	0.01μF,25V	
C2635	NCB30JK-105X	CAPACITOR	1μF,6.3V	
C2636	NCB30JK-105X	CAPACITOR	1μF,6.3V	
C2639	NCB31CK-104X	CAPACITOR	0.1μF,16V	
C2640	NCB31CK-104X	CAPACITOR	0.1μF,16V	
C2702	NBE90GM-226X	T CAPACITOR	22μF,4.0V	
C2703	NBE90GM-226X	T CAPACITOR	22μF,4.0V	
C2753	NCB20JK-225X	CAPACITOR	2.2μF,6.3V	
C2754	NCB20JK-225X	CAPACITOR	2.2μF,6.3V	
C2764	NCB20JK-225X	CAPACITOR	2.2μF,6.3V	
C2765	NCB20JK-225X	CAPACITOR	2.2μF,6.3V	
C2768	NRSA63J-0R0X	MG RESISTOR	0Ω,1/16W	
C2769	NRSA63J-0R0X	MG RESISTOR	0Ω,1/16W	
C7427	NBP41DM-106X	T CAPACITOR	10μF,20V	
C7428	NCB21CK-105X	CAPACITOR	1μF,16V	
C7429	NBE21AM-106X	T CAPACITOR	10μF,10V	
C7431	NBE20JM-106X	T CAPACITOR	10μF,6.3V	
L2101	NQL402M-100X	COIL	10μH	
L2102	NQL402M-100X	COIL	10μH	
L2131	NQL402M-100X	COIL	10μH	
L2601	NRSA63J-0R0X	MG RESISTOR	0Ω,1/16W	
L2602	NRSA63J-0R0X	MG RESISTOR	0Ω,1/16W	
L2603	NRSA63J-0R0X	MG RESISTOR	0Ω,1/16W	
L2604	NRSA63J-0R0X	MG RESISTOR	0Ω,1/16W	
L7403	NQL045K-100X	COIL	10μH	
L7404	NQL045K-100X	COIL	10μH	
S7001	NSW0129-001X	PUSH SWITCH		
CN801	QGB0401L1-A0X	CONNECTOR		
CN802	QGF0517F2-12X	FPC CONNECTOR		
CN803	QGF0517F1-06X	FPC CONNECTOR		
CN804	QGA1001F1-05X	CONNECTOR		
CN805	QGF0507F1-20X	FPC CONNECTOR		
OT1	LY42535-001A	SHEET(AUD.PWB)		

JACK BOARD ASSEMBLY <09>

PW1	YB10288A1	JACK BOARD ASSY		
D2852	MA8068	ZENER DIODE		
R2852	NRSA63J-0R0X	MG RESISTOR	0Ω,1/16W	
R2853	NRSA63J-0R0X	MG RESISTOR	0Ω,1/16W	
R2854	NRSA63J-0R0X	MG RESISTOR	0Ω,1/16W	
R2855	NRSA63J-0R0X	MG RESISTOR	0Ω,1/16W	
L2851	NQR0251-004X	FERRITE BEAD		
L2852	NQR0251-004X	FERRITE BEAD		
L2853	NQR0251-004X	FERRITE BEAD		
J2851	QNS0078-001	3.5 JACK		
CN901	QGF0507F1-16X	FPC CONNECTOR		
CN902	QGF0517F2-08X	FPC CONNECTOR		

W/B BOARD ASSEMBLY <11>

PW3	YB10285A3	W/B BOARD ASSY		
Q1151	RPM-22PB	PHOTO TRANSISTOR		

#	△ REF No.	PART No.	PART NAME, DESCRIPTION	
R1151	NRSA63J-302X	MG RESISTOR	3kΩ,1/16W	
C1151	NBE90JM-106X	T CAPACITOR	10μF,6.3V	
C1152	NCB21EK-683X-R	CAPACITOR	0.068μF,25V	
L1151	NQR0265-001X	FERRITE BEAD		
WR1	WJM0144-001A	E-SI C WIRE C-F		

EJECT BOARD ASSEMBLY <12>

PW2	YB10288A2-01	EJECT BOARD ASSY		
S1	NSW0120-002X	PUSH SWITCH		
WR1	WJM0145-001A	E-SI C WIRE C-F		